

  
**witt**

# PICCOLO Rotante



*EN: 2-17  
TR: 18-34  
PL: 35-50  
BG: 51-66  
CZ: 67-82  
SK: 83-98  
HU: 99-114*

 2531-24

 8504-24

## TABLE OF CONTENTS

SAFETY INSTRUCTIONS .....	3
<i>Leak test</i> .....	4
<i>Gas cylinder connection</i> .....	5
<i>Disconnection of gas cylinder</i> .....	5
<i>Batteries</i> .....	6
TECHNICAL INFORMATION .....	7
OUTDOOR INSTALLATION GUIDE .....	8
<i>Assembly:</i> .....	9
USE OF THE PIZZA OVEN/IGNITION GUIDE .....	13
CLEANING AND MAINTENANCE.....	14
TROUBLESHOOTING .....	15
WARRANTY AND SERVICE .....	16

## SAFETY INSTRUCTIONS

To reduce the risk of fire or other damage, read this safety guide carefully and in its entirety before using this appliance.



- **DO NOT USE THIS APPLIANCE BEFORE YOU READ THE INSTRUCTIONS FOR USE**
- **DO NOT PLACE** ITEMS ON OR AGAINST THIS APPLIANCE
- **DO NOT KEEP** CHEMICALS, FLAMMABLE MATERIALS OR SPRAY CANS NEAR THIS APPLIANCE
- **DO NOT USE** THIS APPLIANCE INDOORS
- **DO NOT ALLOW** FATS/OILS, ASHES OR UNBURNT FUEL TO BUILD UP IN THE APPLIANCE BETWEEN PERIODS OF USE.

- **WARNING:** the pizza oven parts can be very hot!
- Only for outdoors use. Never use the pizza oven in enclosed, covered rooms.
- Keep children and pets away from the appliance at all times.
- Do not move the appliance during use.
- Turn off the gas supply at the gas cylinder after using the appliance.
- Do not modify the appliance.
- Sealed original parts from the manufacturer may not be modified by the user.
- Always wear barbecue gloves when handling hot components.
- Do not store the appliance indoors unless the gas cylinder is disconnected. If the appliance is left unused for an extended period, it should be removed and stored in its original packaging in a dry storage place.

Note: the gas cylinder must always be stored outdoors in a place with good ventilation. A disconnected gas cylinder must not be stored in a building, garage or other enclosed area! Gas cylinders must be stored standing outdoors in a place inaccessible to children.

- **CAUTION:** Cleaning and maintenance must be carried out only when the oven has completely cooled and when the gas cylinder is disconnected.

- Never allow clothing or other flammable material to come into contact with or get too close to the burner or any hot surface until the appliance has cooled. The material can ignite and cause serious injury.
- Certain synthetics are highly flammable and should not be worn when using the oven. Loose garments or sleeves should not be worn when using the oven.
- The underside of the oven also reaches high temperatures. Do not place the pizza oven on plastic tables or other combustible surfaces, tablecloths or similar.
- The pizza oven is not intended for use on boats, in motor homes or caravans.
- Do not modify the pizza oven as it may cause personal injury or product damage.
- Unauthorised modifications to the pizza oven will also result in the lapse of the warranty.
- There must be nothing overhanging the pizza oven, such as trees or roofing structures.

### **LEAK TEST:**

- **CHECK ALL GAS CONNECTIONS, CONNECTIONS AND JOINS ON THE APPLIANCE BEFORE USE:** Although the gas connections of the appliance have been tested for leakage before packing and shipping, a complete test must be performed at the installation site. If at any point you can smell gas, stop using the pizza oven immediately and check the entire system for leaks. Make a solution with a drop of liquid dishwashing detergent and a little water. You will need a spray bottle, brush or cloth to apply the solution to the fittings. Apply the soap solution to all gas fittings. There will be soap bubbles in the places where there is a leak. If there is a leak, turn off the gas supply immediately and tighten the leaking elements. Perform a leak test every time you change the gas tank, or after an extended period of time when the oven has not been in use.
- Make sure that the valve is properly positioned. Make sure the hose is not damaged.

**IMPORTANT:** if the gas leakage cannot be stopped, turn off the gas supply and contact customer service.

**WARNING:** NEVER turn on the burners while gas leak checks are carried out.

**NOTE:** since some test solutions, including soapy water, may cause rust, all connections must be rinsed with water once the leak test is completed.

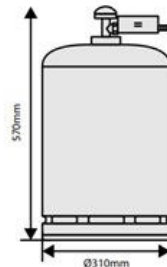
### Gas cylinder connection:

- The gas supply or hose must comply with applicable requirements and must be regularly examined and replaced as necessary. The hose must comply with the EN16436 standard. The regulator must comply with the EN16129 standard.

**DANGER:** Do not use an adjustable pressure regulator (such as the type used for weed burners). Risk of explosion or combustion.

- The nominal output (gas pressure) is between 28-37 mbar, and 50 mbar in Germany, Austria and Switzerland.
- Worn or damaged hoses should be replaced. Check that the hose is not squeezed, split or in contact with the pizza oven, excepted at the place where it is connected.
- In some regions, the hose and regulator may not be supplied with the appliance.
- The hose for the appliance should not exceed 1.5 m.
- Connect the gas cylinder to the oven using the hose and regulator. Carefully tighten the nuts, but do not overtighten or twist. Be careful not to get to damage the regulator fittings. Make sure that ALL valves/buttons on the oven are on Off-position before opening the gas cylinder.
- The regulator hose must be kept at a distance from sharp objects and heat sources.
- Before replacing the gas cylinder: make sure the gas is turned off before disconnecting the hose and regulator from the bottle (not from the oven itself).
- Replace the flexible hose according to applicable national guidelines.
- Do not use a LPG cylinder that exceeds a maximum width of 310 mm and 570 mm height.

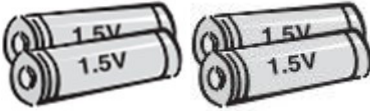
*Leak tests: Once the hose and regulator are fitted and secured according to the instructions, the gas can be turned on. Then spray the joints with a water/soap mixture to check for any leaks.*



**NOTE:** Make sure the gas cylinder is fully shielded from the oven.

### Gas cylinder disconnection:

- When disconnecting gas cylinder: Make sure the oven on/off button is turned to the OFF position. Make sure the cylinder valve is in the closed position. Disconnect the regulator assembly from the gas cylinder and remove it. Be sure to keep the gas cylinder at least one metre from the oven to avoid risk of ignition.
- Requirements/rules for regulator and hose: the regulator used with your gas burner oven must be CE-approved and comply with applicable requirements and regulations.



### **Batteries:**

- Dispose of batteries responsibly and keep them out of the reach of children in case they swallow them. **If a child swallows a battery, contact a doctor immediately!**
- Do not mix old batteries with new ones. This can cause batteries to overheat and leak.
- Non-rechargeable batteries should not be placed in a charger.
- Do not take apart, squeeze, puncture or damage batteries in any way. This can result in fractures or leaks.
- Maintain the durability of batteries by turning off the appliance and unplugging batteries when the appliance is not used — or expected to be used — for an extended period of time.
- Use the specific battery type (5 × AA batteries).
- Insert the batteries correctly. Make sure the poles (- and +) of the batteries are turned the right way.
- Remove exhausted batteries from the appliance immediately and dispose of them securely and correctly according to regulations. Do not throw batteries in the trash, they should be disposed of at the nearest recycling center.

## TECHNICAL INFORMATION

Model number	Recipient country	Total heat supply	Burners	Injector/ Size label- ling	Categories	Gas types
<b>Witt PICCOLO Rotante</b>	BE, CH, CY,CZ, ES,FR, GB,GR,IE,IT,LT,LU,LV,PT, SI,SK,TR, IL	5,2kw	1	Φ 1.12mm	I 3+(28~30/37)	G30 Butane 28~30mbar G31 Propane 37mbar
	BE, BG, CY, CZ, DK, EE, FI, GB, HR, HU, IT, LT, LU, SI, MT, NL, NO, RO, SE, KE,IS	5,2kw	1	Φ 1.12mm	I 3B/P(30)	G30 Butane or G31 Propane 30mbar
	AT, CH, DE, SK	5,2kw	1	Φ 1.06mm	I 3P(50)	G31 Propane 50mbar
	PL	5,2kw	1	Φ 1.12mm	I 3P(37)	G30 Butane or G31 Propane 37mbar

Product Details	Witt PICCOLO Rotante
Dimensions	650 × 535 × 440
Weight NW/GW	19 / 26

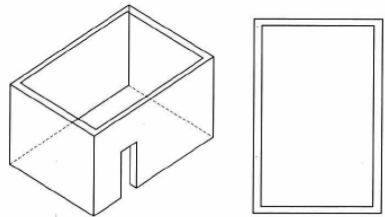
PIN CODE: 1336DO050

## OUTDOOR INSTALLATION GUIDE

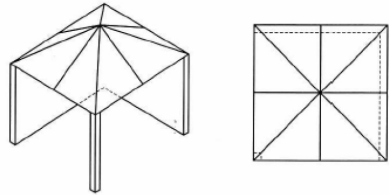
The pizza oven is intended exclusively for outdoor use and may only be used in a well-ventilated place, away from combustible materials. NEVER use the pizza oven indoors, in garages, porches, sheds or other enclosed areas. The pizza oven is not intended for use on boats, in motor homes or caravans and may not be placed near or below any surface which may burn or is heat sensitive. Do not block air supply and combustion around the pizza oven when in use. Adequate ventilation is necessary for the safe and proper function and efficiency of the pizza oven. It is also safer for the user and others in the area where the pizza oven is used. The pizza oven must NEVER be used in enclosed, covered spaces.

As illustrated below, the pizza oven must be installed outdoors in a place where it is open on at least two sides or from above. Importantly, with a possible gas leak, there is a possibility that the gas could get out and away so that an explosion does not occur.

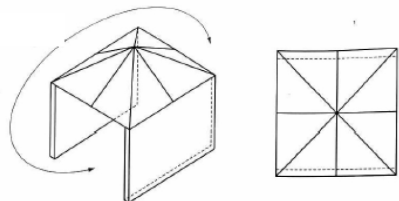
**Example 1:**  
**Ventilation from open roof and open door**



**Example 2:**  
**Open in both sides: Front & Right**



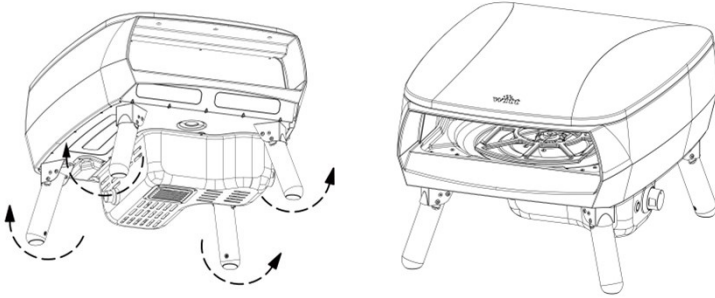
**Example 3:**  
**Open in both sides: Front & Back**





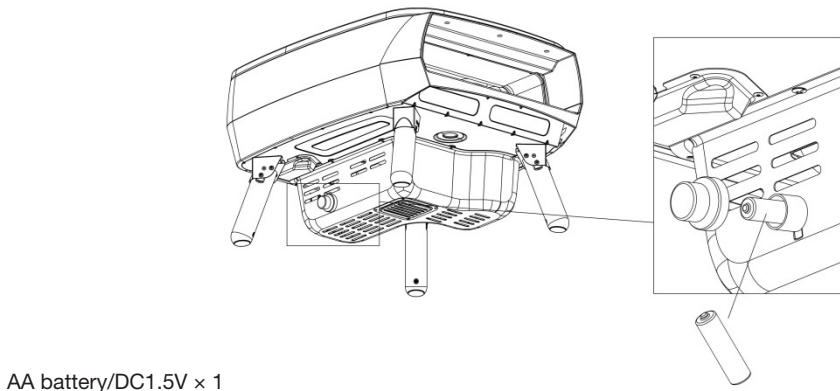
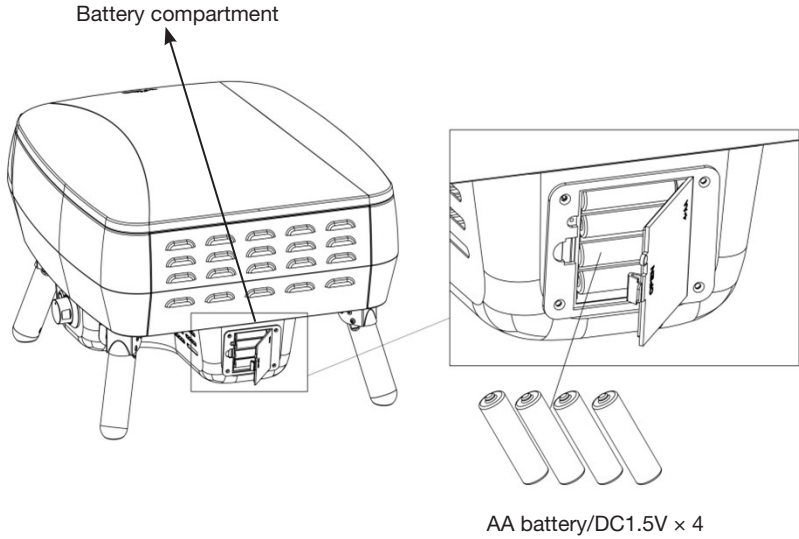
## Assembly:

1. Unfold the legs completely and then stand the pizza oven (note that it weighs up to 19 kg).

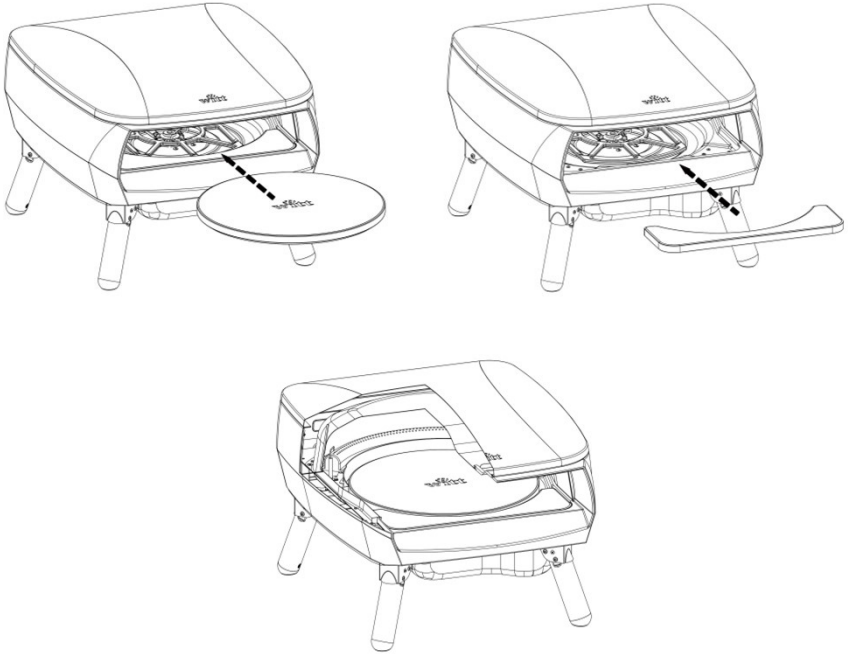


2. Unscrew the electronic ignition cover and insert an AA battery. Note the (+) and (-) markings in the battery compartment. Screw the cover back into place. Open the battery compartment. Insert four new AA batteries and place the batteries so that (+) and (-) are in the right direction in accordance with the indications.

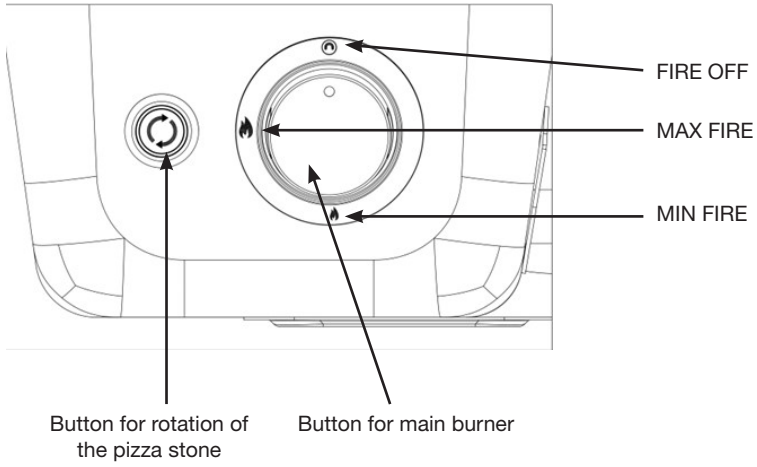
Close the battery compartment.



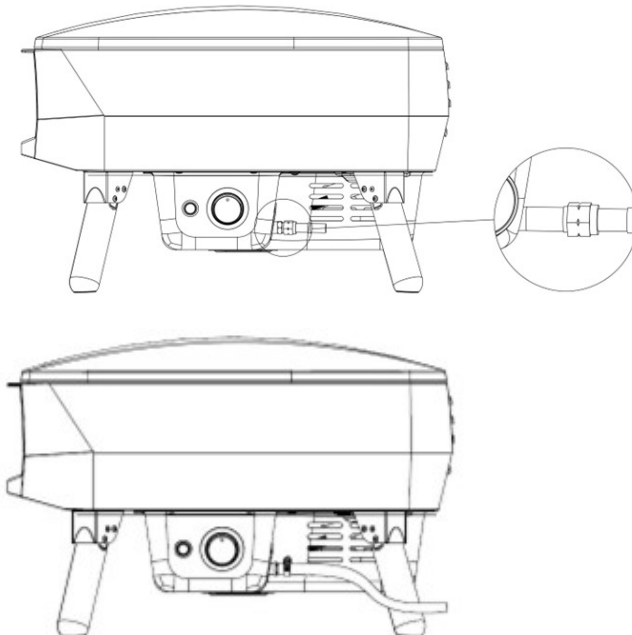
3. Remove the packaging from the pizza stone and fit to the pizza stone tray.



4. Make sure the burner buttons are in the OFF position before connecting the gas hose.



5. Connect the gas hose to the pizza oven.

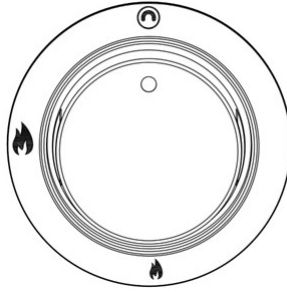


## USE OF THE PIZZA OVEN / IGNITION GUIDE

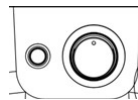
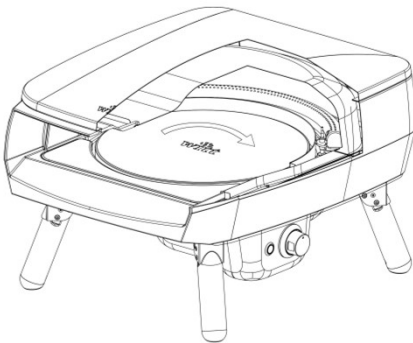
When the regulator is properly connected, the gas can be turned on.

### Witt PICCOLO Rotante

To ignite the burner: depress and simultaneously turn the on/off button slowly counter-clockwise until you hear a click and the burner ignites. This will take about 8-10 seconds, as the gas has to travel through the burner pipe to the oven. Keep holding the on/off button in for additional 10 seconds after ignition and then release the button. Set the burner as desired. If the burner does not turn on, leave the button in the OFF position and wait five minutes before trying again.



Press the button to set the pizza stone rotating.



Symbol	Description
	Main burner
	Turnable rotation

## CLEANING AND MAINTENANCE

### Exterior:

- Make sure the pizza oven has cooled down and is safe to touch before cleaning the outside.
- Painted parts as well as plastic surfaces can be cleaned with mild soapy water and a clean cloth (do not use scouring or grease removal products or scouring pad).
- It is recommended to first test the detergent on a smaller area of the appliance. NEVER use paint diluters or similar solvents and NEVER pour cold water over warm surfaces.
- Wipe with a cloth.

### Inside:

- Make sure the pizza oven has cooled down and is safe to touch before cleaning the inside.
- Remove the round pizza stone and front stone before cleaning
- To clean any stubborn dirt or grease, use a little baking soda on a wet sponge. Do not use scouring agents.

### Pizza Stone:

- The pizza stone is intended exclusively for use in the Witt pizza oven, it is not intended for use over an open fire.
- The pizza stone is fragile and can break if it is knocked or dropped.
- The pizza stone gets very hot during use and stays warm for a long time after use.
- To clean the pizza stone, heat up the oven for approximately 30 minutes and you can remove residues from the pizza stone after cooling down for example with the Witt pizza oven brush.
- The pizza stone and front stone should be stored dry between uses, as it does not tolerate moisture.

## TROUBLESHOOTING

### The burner will not ignite:

The gas valve is not on.	Turn on the valve.
The gas cylinder is empty.	Replace the gas cylinder with a new one.
The ignition button doesn't work.	Check the battery.
There is no spark on ignition.	Contact the service centre

### The flame of the burner is irregular:

The flame burns inside the burner (whispering sound).	Turn off the burner and let it cool down. Then try to ignite once more.
The regulator is defective.	Contact the service centre
Injector is partially blocked.	Clean the injector with a toothbrush. Don't drill out and don't use wire/steel wire to remove blockages. Contact the service centre

### Gas leak between joints:

Connections are loose.	Tighten loose connections (do not overtighten) and conduct a pressure leak test using soapy water (see the instructions 'Leak test' page 4.
The hose is damaged.	Replace the hose. (Contact service centre).
The gas valve is faulty.	Contact the service centre
Connections/joints are damaged.	Contact the service centre

### The pizza stone does not rotate:

The pizza stone does not rotate.	Make sure that the cable from the power adapter is connected correctly and that the power is turned on. Make sure that the batteries are inserted correctly into the battery compartment. Check that the batteries are fully charged and replace them if necessary. To ensure that the front stone does not block rotation, the front must be pushed forward to the opening of the oven.
The pizza stone is damaged.	Contact the service centre
Button/contact or cables are damaged.	Contact the service centre

## WARRANTY AND SERVICE

### IMPORTANT

The warranty includes materials and wages. When contacting the service department, please provide the name, serial number of the product, and complete the service form at

<https://service.witt.dk/service/da/witt/pizzaservice.aspx>.

This information can be found on the type sign. Write down the information in these instructions so that you have them at hand. This makes it easier for the service technician to find the correct spare parts.

During the warranty period, your pizza oven will be repaired by the Witt Authorised Service Centre, provided your pizza oven is delivered to and collected from the service centre, see the terms and conditions below.

### WARRANTY

Two years

### THE WARRANTY DOES NOT COVER:

1. Faults and damage that are not due to manufacturing or material issues
2. Normal, reasonable wear and tear (e.g., heat discolouring of grate/plates).
3. Product damage caused by pests.
4. If unoriginal spare parts are used.
5. If the instructions in the user's manual have not been followed.
6. If the device has not been set up/assembled as specified in the instructions
7. If non-professionals have installed or repaired the product.
8. Rust and tarnish.

### TRANSPORT DAMAGE

If the product is damaged during transport and this is only discovered when the retailer delivers the product to the customer, this is exclusively a matter between the customer and the retailer. In cases where customers have transported the product themselves, the supplier shall not be liable for any potential damage during transport. Any damage caused during transport must be reported immediately and no later than 24 hours after the product has been delivered. If not, the customer's claim will be rejected.



## COMMERCIAL PURCHASES

Commercial purchases are all purchases of devices that are not intended to be used in private households but instead intended to be used for commercial purposes (in restaurants, cafés, canteens, etc.) or intended to be hired out or otherwise used by multiple users in turn.

There is no warranty offered for commercial purchases, as this product is only intended for regular household use.

### All requests for service:

EMAIL: [service@wittpizza.dk](mailto:service@wittpizza.dk)

See more at: [www.wittpizza.com](http://www.wittpizza.com)

### EC Declaration of Conformity:

Witt Hvidevarer A/S hereby confirm that the following accessory comply with all permanent and essential requirements as per the EU directive 2014/53. 1935/2004. Witt Hvidevarer A/S Gødstrup Søvej 9, DK-7400 Denmark. Witt US, LLC PO BOX: 1044, 800 State Route 11, Champlain, NY 12919, USA, Witt UK & Ireland Ltd. 4 Tannery House, Tannery Lane, Send, Working, Surrey, GU23 7EF. [www.witt.dk](http://www.witt.dk)

## İÇİNDEKİLER

GÜVENLİK TALİMATLARI .....	19
SIZINTI TESTİ .....	20
GAZ TÜPÜ BAĞLANTISI .....	21
GAZ TÜPÜ BAĞLANTISININ KESİLMESİ .....	21
PİLLER .....	22
TEKNİK BİLGİLER .....	23
DIŞ MEKAN KURULUM KILAVUZU .....	24
MONTAJ: .....	25
PİZZA FIRINININ KULLANIMI/ATEŞLEME KILAVUZU .....	29
WITT PICCOLO ROTANTE .....	29
TEMİZLİK VE BAKIM .....	31
SORUN GİDERME .....	31
GARANTİ VE SERVİS .....	32

## GÜVENLİK TALİMATLARI

**Yangın veya diğer hasar riskini azaltmak için, bu cihazı kullanmadan önce bu güvenlik kılavuzunu dikkatlice ve tamamını okuyun.**



- KULLANIM TALİMATLARINI OKUMADAN BU CİHAZI KULLANMAYIN.
- CİHAZIN ÜZERİNE VEYA YAKININA EŞYA YERLEŞTİRMEYİN.
- CİHAZ YANINDA KİMYASALLARI, YANICI MADDELER VEYA SPREY KUTULARINI TUTMAYIN.
- CİHAZI İÇ MEKANDA KULLANMAYIN.
- KULLANIM DÖNEMLERİ ARASINDA CİHAZIN İÇİNDE YAĞLARIN, KÜLLERİN VEYA YANMAMIŞ YAKITIN BİRİKİMİNE İZİN VERMEYİN.

- UYARI: Pizza fırınının parçaları çok sıcak olabilir!
- Yalnızca dış mekan kullanım için uygundur. Pizza fırını kapalı, kapalı odalarda kullanmayın.
- Çocukları ve evcil hayvanları her zaman cihazdan uzak tutun.
- Kullanım sırasında cihazı hareket ettirmeyin.
- Cihazı kullandıktan sonra tüpün detantörünü kapatın.
- Cihazda değişiklik yapmayın.
- Üreticinin mühürlü orjinal parçaları kullanıcı tarafından değiştirilemez.
- Sıcak parçaları tutarken daima barbekü eldivenleri takın.
- Gaz tüpün bağlantısı kesilmediği sürece cihazı kapalı mekanda saklamayın. Cihaz uzun süre kullanılmadan bırakılacaksa çıkarılmalı ve orjinal ambalajında, kuru bir yerde saklanmalıdır.

Not: Gaz tüpü her zaman açık havada, iyi havalandırılan bir yerde saklanmalıdır. Bağlantısı kesilmiş bir gaz tüpü bir binada, garajda veya başka bir kapalı alanda saklanmamalıdır! Gaz tüpleri açık havada, çocukların ulaşamayacağı bir yerde saklanmalıdır.

- DİKKAT: Temizlik ve bakım yalnızca fırın tamamen soğuduğunda ve gaz tüpü bağlantısı kesildiğinde yapılmalıdır.

Cihaz tamamen soğumadan, giysilerin veya diğer yanıcı maddelerin brülöre veya herhangi bir sıcak yüzeye temas etmesine veya çok yaklaşmasına asla izin vermeyin. Malzeme alev alabilir ve ciddi yaralanmalara neden olabilir.

- Bazı sentetik giysiler son derece yanıcıdır, kullanım sırasında bol giysiler ve sentetik kolluklar giyilmemelidir.
- Fırının alt kısmı da yüksek sıcaklıklara ulaşır. Pizza fırınına plastic masaların veya diğer yanıcı yüzeylerin, masa örtülerinin ya da benzeri malzemelerin üzerine koymayın.
- Pizza fırını tekne, karavan ve mobil mini ev gibi alanlarda kullanılmak üzere üretilmemiştir.
- Kişisel yaralanmaya veya ürünün hasar görmesine neden olabileceği için pizza fırınında yapısal değişiklik yapmayın.
- Pizza fırınında izinsiz yapılan değişiklikler garantinin sona ermesine yol açacaktır.
- Pizza fırınının etrafından sarkan ağaç veya gölgelik, çatı kenarları gibi hiç bir şey olmamalıdır.

## **SIZINTI TESTİ:**

**KULLANMADAN ÖNCE CİHAZIN TÜM GAZ BAĞLANTILARINI VE BİRLEŞİM YERLERİNİ KONTROL EDİN:** Ambalajlama ve nakliye öncesinde cihazın gaz bağlantıları sızıntı açısından test edilmiş olsa da kurulum yerinde tam bir test yapılmalıdır. Herhangi bir noktada gaz kokusu duyarsanız, pizza fırını kullanmayı derhal bırakın ve tüm sistemde sızıntı olup olmadığını kontrol edin. Bir damla sıvı bulaşık deterjanı ve biraz su ile solüsyon hazırlayın. Solüsyonu bağlantı parçalarına uygulamak için bir sprey şişesine, fırçaya veya beze ihtiyacınız olacaktır. Sabun solüsyonunu tüm gaz armatürlerine uygulayın. Sızıntının olduğu yerlerde sabun köpüğü çıkacaktır. Sızıntı varsa derhal detantörü kapatın ve sızıntı yapan parçaları sıkın. Gaz tüpünü her değiştirdiğinizde veya fırının uzun süre kullanılmadığı durumlarda bir sızıntı testi yapın.

- Detantörün doğru konumlandırıldığından ve hortumun hasar görmediğinden emin olun.

**ÖNEMLİ:** Gaz kaçağı durdurulamıyorsa gaz detantörünü kapatın ve müşteri hizmetlerine başvurun.

**UYARI:** Gaz sızıntısı kontrolleri yapılırken fırını ASLA açmayın.

**NOT:** Sabunlu su da dahil olmak üzere bazı test solüsyonları paslanmaya neden olabileceğinden, sızıntı testi tamamlandıktan sonra tüm bağlantılar su ile durulanmalıdır.

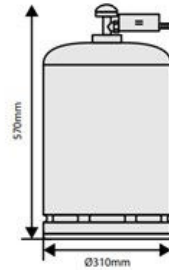
## Gaz tüpü bağlantısı:

- Gaz tüpü detantörü veya hortumu geçerli teknik şartnamelere uygun olmalı ve düzenli olarak incelenmeli ve gerektiğinde değiştirilmelidir. Hortum EN16436 standardına, detantör EN16129'a standardına uygun olmalıdır.

**TEHLİKE:** Ayarlanabilir bir basınç regülatörü (ot yakıcılarda kullanılan tip gibi) kullanmayın. Patlama veya yanma riski olabilir.

- Nominal çıkış (gaz basıncı) ülkeye bağlı olarak 28-37 mbar arasında, Almanya, Avusturya ve İsviçre'de 50mbar'dır.
- Aşınmış veya hasar görmüş hortumlar değiştirilmelidir. Hortumun bükülü olup olmadığını, detantöre bağlı olduğunu ve pizza fırınına temas etmediğini kontrol edin.
- Bazı ülkelerde hortum ve detantör cihazla birlikte verilmeyebilir.
- Cihazın hortumu 1.5 metreyi geçmemelidir.
- Hortumu ve detantörü kullanarak gaz tüpünü fırına bağlayın. Somunları dikkatlice sıkın ancak aşırı sıkmayın veya bükmeyin. Detantörün bağlantı parçalarına zarar vermemeye dikkat edin. TÜM vanaların/düğmelerin kapalı olduğundan emin olun. Tüpü açmadan önce fırın kapalı konumda olmalıdır.
- Detantör hortumu keskin nesnelere ve ısı kaynaklarından uzak tutulmalıdır.
- Gaz tüpünü değiştirmeden önce, hortumun ve detantörün tüpten çıkarılmış olduğundan (fırından değil) gazın kapatıldığından emin olun.
- Esnek hortumu geçerli ulusal standartlara uygun olanla değiştirin.
- Maksimum genişliği 310 mm'yi ve yüksekliği 570 mm aşan LPG tüpü kullanmayın.

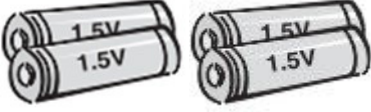
*Sızıntı testi: Hortum ve detantörü talimatlara göre takıp sabitlendikten sonra gaz açılabilir. Daha sonra herhangi bir sızıntı olup olmadığını kontrol etmek için birleşim yerlerine su/sabun karışımı püskürtün.*



**NOT:** Gaz tüpünün fırından tamamen korunduğundan emin olun.

## Gaz tüpü bağlantısının kesilmesi:

- Gaz tüpünün bağlantısını keserken: Fırın açma/kapama düğmesinin KAPALI konuma getirildiğinden emin olun. Detantörün kapalı konumda olduğundan emin olun, tüpten çıkarın. Gaz tüpünü fırından en az bir metre uzakta tuttuğunuzdan emin olun.
- Detantör ve hortum için şartname/kurallar: Gazlı fırınıızla birlikte kullanılan detantör CE onaylı olmalı ve ilgili şartnamelere ve düzenlemelere uygun olmalıdır.



### Piller:

Pilleri uygun ortamda ve yutma tehlikesine karşı çocukların erişemeyeceği bir yerde saklayın. Böyle bir durumda derhal bir doktora başvurun!

- Eski pilleri yenileriyle karıştırmayın. Bu, pillerin aşırı ısınmasına ve sızıntı yapmasına neden olabilir.
- Şarj edilemeyen piller şarj cihazına yerleştirilmemelidir.
- Pilleri hiçbir şekilde parçalarına ayırmayın, ezmeyin, delmeyin veya zarar vermeyin. Bu, kırılmalara veya sızıntılara neden olabilir.
- Cihazı kapatarak pillerin dayanıklılığını koruyun ve cihaz uzun bir süre kullanılmadığında veya kullanılması beklendiğinde pillerin çıkarın.
- Uygun kalem pil tipini kullanın (5 x AA pil).
- Pilleri doğru şekilde takın. Pillerin kutuplarının (- ve +) doğru yöne çevrildiğinden emin olun.
- Biten pilleri derhal cihazdan çıkarın ve yönetmeliklere uygun olarak güvenli ve doğru bir şekilde imha edin. Pilleri çöpe atmayın, en yakın geri dönüşüm merkezine atılmalıdır.

## TEKNİK BİLGİLER

Model No	Ülke	Toplam Isı Kaynağı	Brülörler	Enjektör/ Boyut	Kategori	Gaz Tipi
Witt PICCOLO Rotante	BE, CH, CY,CZ, ES,FR, GB,GR,IE,IT,LT,LU,LV,PT, SI,SK,TR, IL	5,2kw	1	Φ1.12mm	I 3+(28~30/37)	G30 Butane 28~30mbar G31 Propane 37mbar
	BE, BG, CY, CZ, DK, EE, FI, GB, HR, HU, IT, LT, LU, SI, MT, NL, NO, RO, SE, KE,IS	5,2kw	1	Φ1.12mm	I 3B/P(30)	G30 Butane veya G31 Propane 30mbar
	AT, CH, DE, SK	5,2kw	1	Φ1.06mm	I 3P(50)	G31 Propane 50mbar
	PL	5,2kw	1	Φ1.12mm	I 3P(37)	G30 Butane veya G31 Propane 37mbar

Ürün Detayları	Witt PICCOLO Rotante
Boyutlar	650 × 535 × 440
Ağırlık NW/GW (KG)	19 / 26

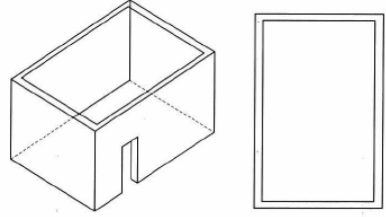
PIN CODE: 1336DO050

## DIŐ MEKAN KURULUM KILAVUZU

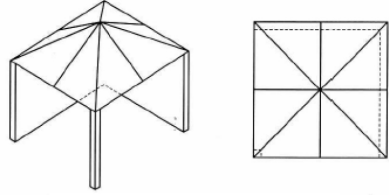
Pizza fırını yalnızca dış mekanda kullanılmak üzere tasarlanmıştır ve yalnızca iyi havalandırılan, yanıcı malzemelerden uzakta bir yerde kullanılabilir. Pizza fırını ASLA kapalı mekanlarda, garajlarda, sundurmalarda, barakalarda veya başka yerlerde kullanmayın. Pizza fırını teknelerde veya karavanlarda kullanılmak üzere tasarlanmamıştır. Evlerde veya karavanlarda yanabilir veya ısıya duyarlı herhangi bir yüzeyin yakınına veya altına yerleştirilmemelidir. Kullanım sırasında pizza fırınının çevresindeki hava sirkülasyonunu ve yanmayı engellemeyin. Pizza fırınının güvenli ve düzgün çalışması ve verimliliği için yeterli havalandırma gereklidir. Ayrıca pizza fırınının kullanıldığı alanda kullanıcı ve diğer kişiler için daha güvenlidir. Pizza fırını kapalı alanlarda ASLA kullanılmamalıdır.

Aşağıda gösterildiği gibi pizza fırını açık havada, en az iki tarafı veya üst kısmı açık olacak şekilde kurulmalıdır. Önemli olan olası bir gaz sızıntısında gazın dışarı çıkıp patlama ihtimalinin olmamasıdır.

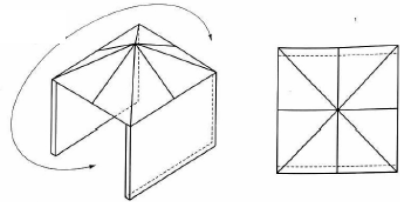
**Örnek 1:**  
**Açık çatı ve açık kapıdan havalandırma**



**Örnek 2:**  
**Her iki taraf açık: Ön ve Sağ**



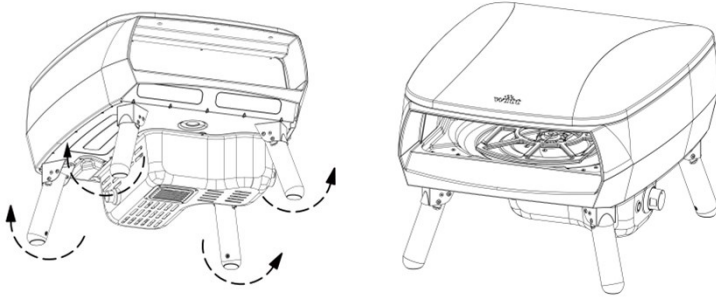
**Örnek 3:**  
**Her iki taraf açık: Ön ve Arka**





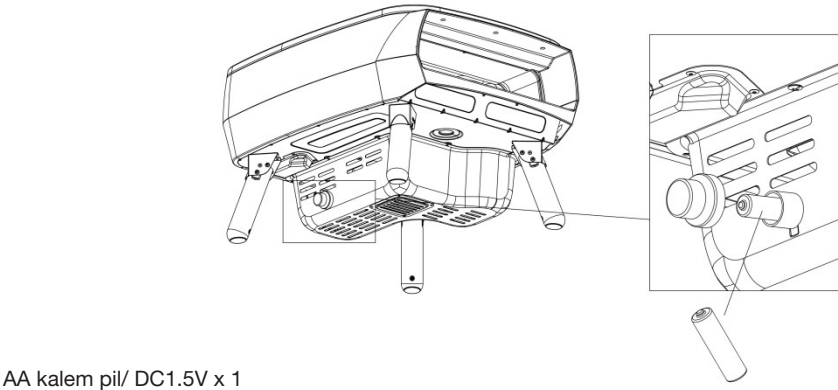
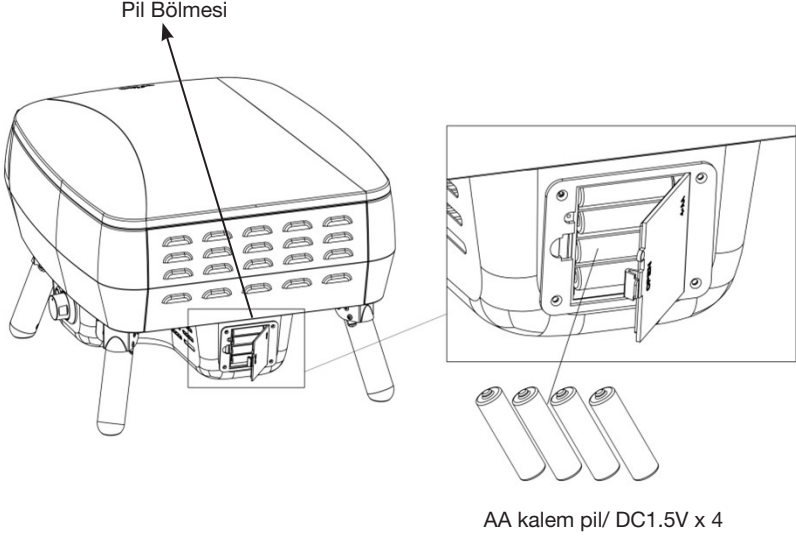
**Montaj:**

1. Ayakları tamamen açın ve ardından pizza fırını yerleştirin (19 kg civarı ağırlığa sahip olduğunu unutmayın).

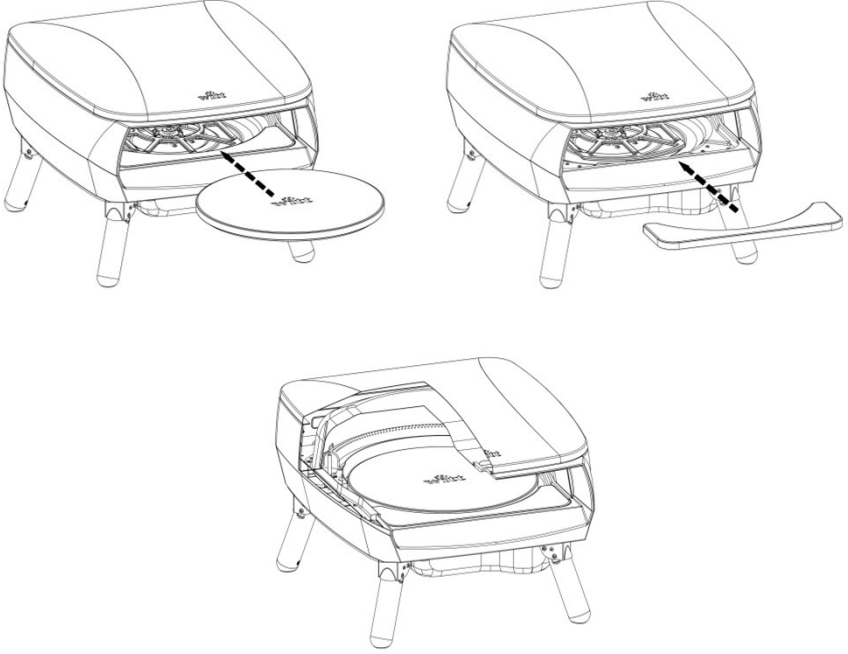


2. Elektronik ateşleme kapağını sökün ve bir AA pil takın. Pil bölmesindeki (+) ve (-) işaretlerine dikkat edin. Kapağı tekrar yerine vidalayın. Pil bölmesini açın. Dört yeni AA pil takın ve pilleri (+) ve (-) göstergelere uygun şekilde doğru yönde olacak şekilde yerleştirin.

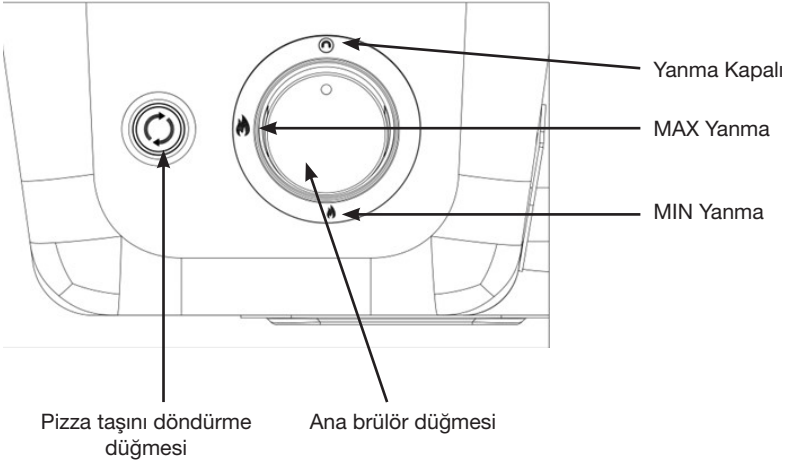
Pil bölmesini kapatın.



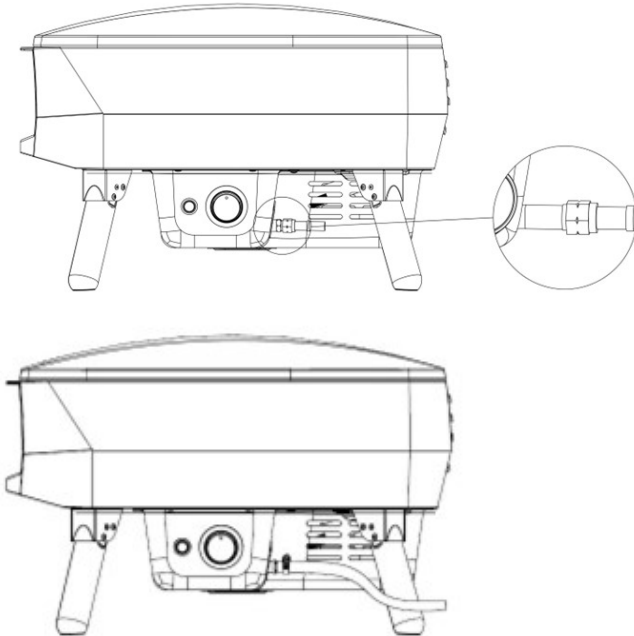
3. Ambalajından pizza taşını çıkarın ve pizza taşı tepsisine yerleştirin.



4. Gaz hortumunu bağlamadan önce brülör düğmelerinin KAPALI konumda olduğundan emin olun.



5. Gaz hortumunu pizza fırınına bağlayın.

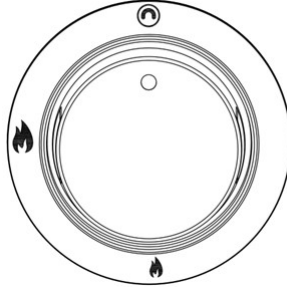


## PİZZA FIRINININ KULLANIMI/ATEŞLEME KILAVUZU

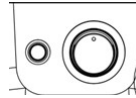
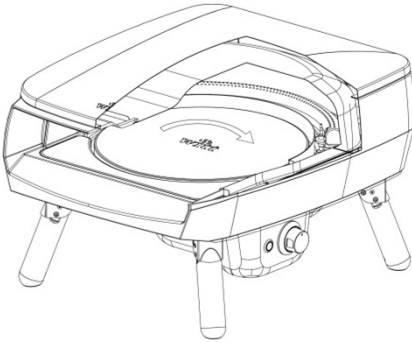
Detantör doğru şekilde bağlandığında gaz açılabilir.

### Witt PICCOLO Rotante

Brülörü ateşlemek için: açma/kapama düğmesine basın ve aynı anda bir klik sesi duyuncaya ve ocak ateşlenene kadar saat yönünün tersine yavaşça çevirin. Gazın brülör borusundan fırına gitmesi gerektiğinden bu işlem yaklaşık 8-10 saniye sürecektir. Açma/kapama düğmesini 10 saniye daha basılı tutmaya devam edin ve ardından düğmeyi bırakın. Brülörü istediğiniz gibi ayarlayın. Brülör açılmazsa düğmeyi KAPALI konumda bırakın ve tekrar denemeden önce beş dakika bekleyin.



Pizza taşının dönmesini ayarlamak için orta düğmeye basın.



Sembol	Tanım
	Ana Brülör
	Döner Tabla Ayan

## TEMİZLİK VE BAKIM

### Dış Gövde:

- Dışını temizlemeden önce pizza fırınının soğuduğundan ve dokunulabilecek durumda olduğundan emin olun.
- Boyalı parçalar ve plastik yüzeyler hafif sabunlu su ve temiz bir bezle temizlenebilir (ovma veya yağ giderme ürünleri veya ovma süngeri kullanmayın).
- Deterjan kullanılması durumunda öncelikle cihazın daha küçük bir alanında denemeniz önerilir. ASLA boya seyreltici veya benzeri solventler kullanmayın ve sıcak yüzeylere ASLA soğuk su dökmeyin.
- Bir bezle silin.

### İç Gövde:

- İçini temizlemeden önce pizza fırınının soğuduğundan ve dokunulabilecek durumda olduğundan emin olun.
- Temizlemeden önce yuvarlak pizza taşını ve ön taşı çıkarın
- İnatçı kirleri veya yağları temizlemek için ıslak bir süngere biraz kabartma tozu sürün. Ovma maddeleri kullanmayın.

### Pizza Taşı:

- Pizza taşı yalnızca Witt pizza fırınında kullanılmak üzere tasarlanmıştır; açık ateşte kullanılmak üzere tasarlanmamıştır.
- Pizza taşı kırılgandır ve çarpıldığında veya düşürüldüğünde kırılabilir.
- Pizza taşı kullanım sırasında çok ısınır ve kullanım sonrasında uzun süre sıcak kalır.
- Pizza taşını temizlemek için fırını yaklaşık 30 dakika ısıtın ve soğuduktan sonra pizza taşıdaki kalıntıları Witt pizza fırını fırçasıyla temizleyebilirsiniz.
- Neme karşı hassas olduğundan pizza taşı ve ön taş kullanımlar arasında kuru olarak saklanmalıdır.

## SORUN GİDERME

### Brülör ateşlenmiyor:

Detantör açık değil.	Detantörü açın
Gaz tüpü boş	Gaz xtüpünü yenisi ile değiştirin
Ateşleme düğmesi çalışmıyor	Pili kontrol edin
Ateşlemede kıvılcım oluşmuyor	Servis merkezi ile iletişime geçin

### Brülörün alevi düzensiz:

Alev brülörün içinde yanıyor (fısıltı sesi).	Brülörü kapatın ve soğumaya bırakın. Sonra bir kez daha ateşlemeye çalışın.
Detantör arızalı.	Yetkili Servis ile iletişime geçin.
Enjektör kısmen tıkalı.	Enjektörü bir diş fırçası ile temizleyin. Delmeyin ve tıkanıklıkları gidermek için tel/çelik tel kullanmayın. Servis merkeziyle iletişime geçin

### Bağlantılar arasında gaz kaçağı:

Bağlantılar gevşek.	Gevşek bağlantıları sıkın ve sabunlu su kullanarak basınç sızıntı testi yapın. (sayfa 4'teki "Sızıntı testi" talimatlarına bakın)
Hortum hasarlı.	Hortumu değiştirin(yetkili servis ile iletişime geçin)
Gaz detantörü arızalı.	Yetkili servis ile iletişime geçin
Bağlantılar hasarlı.	Yetkili Servis ile iletişime geçin

### Pizza taşı dönmüyor:

Pizza taşı dönmüyor.	Pillerin pil bölmesine doğru şekilde yerleştirildiğinden emin olun. Pillerin tamamen şarj olduğunu kontrol edin ve gerekirse değiştirin. Ön taşın dönüşü engellememesini sağlamak için, fırının ön kısmına doğru itilmelidir
Pizza taşı hasar görmüş.	Servis merkeziyle iletişime geçin
Düğme/kontak veya kablolar hasarlı.	Servis merkeziyle iletişime geçin

## GARANTİ VE SERVİS

### ÖNEMLİ

Garanti malzeme ve işçilikleri kapsar. Yetkili Servis ile iletişime geçerken lütfen ürünün adını, seri numarasını bildirin. Bu, servis teknisyeninin doğru yedek parçaları bulmasını kolaylaştırır. Garanti süresi boyunca pizza fırınıınız Witt Yetkili Servisi tarafından tamir edilecektir. Pizza fırınıınızın Yetkili Servis Merkezi'ne teslim edilmesi şartıyla aşağıdaki hüküm ve koşullara bakın.

### GARANTİ

İki yıl

### GARANTİ ŞUNLARI KAPSAMAZ:

1. İmalat veya malzeme sorunlarından kaynaklanmayan arızalar ve hasarlar
2. Normal, makul aşınma ve yıpranma (örneğin, ısıyla renk bozulması).
3. Yanlış kullanımın neden olduğu ürün hasarı.
4. Orijinal olmayan yedek parçalar kullanılıyorsa.
5. Kullanım kılavuzundaki talimatlara uyulmadıysa.
6. Cihaz, talimatlarda belirtildiği şekilde kurulmamış/monte edilmemişse
7. Profesyonel olmayan kişiler ürünü kurduysa veya onardıysa.
8. Pas ve kararma.

### NAKLIYE HASARI

Ürün nakliye sırasında hasar görürse ve bu yalnızca bayi/satıcı ürünü tüketiciye teslim aşamasında farkederse, bu sadece tüketici ve bayi/satıcı arasında çözülmesi gereken bir konudur. Tüketicinin ürünü kendi imkanları ile taşıması durumunda, bayi/satıcı nakliye sırasında olası hasardan sorumlu değildir. Nakliye sırasında meydana gelen herhangi bir hasar, ürün teslim edildikten hemen sonra ve en geç 24 saat içinde bildirilmelidir. Aksi takdirde, müşterinin talebi Kabul edilmeyecektir



**TİCARİ ALIMLAR**

Ticari alımlar, özel/bireysel ve evde kullanılmak amacı dışında, ticari alanlarda (restoranlarda, kafelerde, kantinlerde vb.) kullanılmak üzere veya birden fazla kullanıcı tarafından kullanılması veya kiralanması amacı ile satın alınması anlamı taşır.

Bu ürün yalnızca normal ev kullanımı için tasarlandığından, ticari satın alımlar için sunulan herhangi bir garanti yoktur.

**CE Uygunluk Beyanı:**

Witt Hvidevarer A/S, işbu belgeyle aşağıdaki aksesuarların 2014/53 AB 1935/2004 direktifine göre tüm kalıcı ve temel gerekliliklere uygun olduğunu onaylar.

Witt Hvidevarer A/S Gødstrup Søvej 9, DK-7400 Danimarka. Witt US, LLC PO BOX: 1044, 800 State Route 11, Champlain, NY 12919, ABD, Witt UK & Ireland Ltd. 4 Tannery House, Tannery Lane, Send, Çalışıyor, Surrey, GU23 7EF. www.witt.dk

**İthalatçı Firma:**

Leggno Mutfak Ürünleri San ve Tic AŞ.  
Altunizade Mah Fahrettin Kerim Gökay Cad No 13 B Blok  
Üsküdar/İSTANBUL  
Tel: 0216 634 44 44

**Satış Sonrası Hizmetler:**

Leggno Çözüm Merkezi Hattı  
Telefon : 444 4 397  
0850 473 01 73  
Mail: info@leggno.com

Adres: Barbaros Mahallesi, Sedef Sokak Validebağ Konakları A2 Blok No 19  
Üsküdar-İSTANBUL

## GARANTİ BELGESİ

### İTHALATÇI FİRMANIN

Ünvanı: LEGGNO Mutfak Ürünleri San. Ve Tic. A.Ş  
Adresi: Altunizade mah.Ord. Prof. Fahrettin Kerim Gökay cad. B Blok No: 13/3  
Üsküdar İSTANBUL  
Telefon: +90 216 644 44 44  
E-Posta: info@leggno.com

### FİRMA YETKİLİSİNİN

İmza ve Kaşesi:

Malın Cinsi: Pizza FIRINI  
Model:  
Bakanlıkça Bildirilen Kullanım Ömrü:  
Garanti Süresi: 2 Yıl  
Azami Tamir Süresi: 20 Gün

## SPIS TREŚCI

INSTRUKCJE BEZPIECZEŃSTWA.....	36
<i>Test szczelności.....</i>	37
<i>Podłączenie butli z gazem.....</i>	38
<i>Odlączenie butli z gazem.....</i>	38
<i>Baterie.....</i>	39
SPECYFIKACJE TECHNICZNE.....	40
INSTRUKCJE DOTYCZĄCE INSTALACJI NA ZEWNĄTRZ.....	41
<i>Montaż:.....</i>	42
KORZYSTANIE Z PIECA DO PIZZY/INSTRUKCJE DOTYCZĄCE ZAPŁONU.....	46
CZYSZCZENIE I KONSERWACJA.....	47
ROZWIĄZYWANIE PROBLEMÓW.....	48
GWARANCJA I SERWIS.....	49

## INSTRUKCJE BEZPIECZEŃSTWA

Aby zmniejszyć ryzyko pożaru lub uszkodzeń, przed rozpoczęciem korzystania z urządzenia należy uważnie przeczytać całość niniejszych instrukcji bezpieczeństwa.



- **NIE UŻYWAĆ** TEGO URZĄDZENIA PRZED ZAPOZNANIEM SIĘ Z INSTRUKCJĄ OBSŁUGI
- **NIE UMIESZCZAĆ** ŻADNYCH PRZEDMIOTÓW NA TYM URZĄDZENIU LUB W BEZŚREDNIM KONTAKCIE Z NIM
- **NIE PRZECHOWYWAĆ** CHEMIKALIÓW, MATERIAŁÓW ŁATWOPALNYCH LUB PUSZEK Z AEROZOLEM W POBLIŻU TEGO URZĄDZENIA
- **NIE UŻYWAĆ** TEGO URZĄDZENIA W POMIESZCZENIACH
- **NIE DOPUSZCZAĆ** DO GROMADZENIA SIĘ TŁUSZCZU/OLEJU, POPIOŁU LUB NIESPALONEGO MATERIAŁU OPAŁOWEGO W URZĄDZENIU MIĘDZY OKRESAMI UŻYTKOWANIA

- **OSTRZEŻENIE:** części pieca do pizzy mogą być bardzo gorące!
- Tylko do użytku na zewnątrz. Nigdy nie używać pieca do pizzy w zamkniętych, zadaszonych pomieszczeniach.
- Nie dopuszczać dzieci i zwierząt domowych do urządzenia.
- Nie przemieszczać urządzenia podczas użytkowania.
- Po zakończeniu korzystania z urządzenia wyłącz dopływ gazu z butli gazowej.
- Nie wolno modyfikować urządzenia.
- Użytkownikowi nie wolno modyfikować zamkniętych oryginalnych części od producenta.
- Podczas obchodzenia się z gorącymi elementami zawsze należy nosić rękawice do grillowania.
- Nie przechowywać urządzenia w zamkniętych pomieszczeniach, jeśli butla gazowa nie jest odłączona. Jeśli urządzenie nie będzie używane przez dłuższy czas, należy je wyjąć i przechowywać w oryginalnym opakowaniu w suchym miejscu.

Uwaga: butla z gazem musi być zawsze przechowywana na zewnątrz, w miejscu zapewniającym dobrą wentylację. Odłączona butla gazowa nie może być przechowywana w budynku, garażu lub innym zamkniętym pomieszczeniu! Butle z gazem muszą być przechowywane na zewnątrz w miejscu niedostępnym dla dzieci.

- **UWAGA:** Czyszczenie i konserwację należy przeprowadzać wyłącznie po całkowitym ostygnięciu pieca i odłączeniu butli gazowej.

- Nigdy nie dopuszczać do kontaktu odzieży lub innych łatwopalnych materiałów z palnikiem lub jakąkolwiek gorącą powierzchnią i nie zbliżać ich do palnika bądź jakiegokolwiek gorącej powierzchni dopóki urządzenie nie ostygnie. Materiały te mogą ulec zapłonowi i spowodować poważne obrażenia.
- Niektóre materiały syntetyczne są wysoce łatwopalne i nie należy nosić wykonanej z nich odzieży podczas korzystania z pieca. Podczas korzystania z pieca nie należy nosić luźnych ubrań ani rękawów.
- Również spód pieca osiąga wysokie temperatury. Nie umieszczać pieca do pizzy na plastikowych stołach lub innych łatwopalnych powierzchniach, obrusach itp.
- Piec do pizzy nie jest przeznaczony do użytku na jednostkach pływających, w samochodach kempingowych lub przyczepach kempingowych.
- Nie wolno modyfikować pieca do pizzy, ponieważ może to spowodować obrażenia ciała lub uszkodzenie produktu.
- Niedozwolone modyfikacje pieca do pizzy spowodują również unieważnienie gwarancji.
- Nad piecem do pizzy nie mogą znajdować się żadne zwisające obiekty, takie jak drzewa, lub konstrukcje dachowe.

## TEST SZCZELNOŚCI

- **PRZED UŻYCIEM SPRAWDZIĆ WSZYSTKIE POŁĄCZENIA I ZŁĄCZA INSTALACJI GAZOWEJ:** Pomimo że połączenia gazowe urządzenia zostały przetestowane pod kątem szczelności przed jego zapakowaniem i wysyłką w miejscu instalacji należy przeprowadzić kompletny test. Jeśli w dowolnym momencie wyczuwalny jest zapach gazu, należy natychmiast zaprzestać korzystania z pieca do pizzy i sprawdzić cały system pod kątem nieszczelności. Należy przygotować roztwór z kropli płynu do mycia naczyń i niewielkiej ilości wody. Potrzebna będzie butelka z rozpylaczem, pędzel lub szmatka do naniesienia roztworu na elementy połączeń. Nanieść roztwór płynu do mycia naczyń na wszystkie złącza instalacji gazowej. W punktach ewentualnych nieszczelności pojawią się bańki roztworu. W przypadku nieszczelności natychmiast odłączyć dopływ gazu i dokręcić nieszczelne elementy. Test szczelności wykonywać za każdym razem, gdy wymieniana jest butla z gazem lub po dłuższym okresie, gdy piec nie był używany.
- Należy upewnić się, że zawór jest prawidłowo ustawiony. Sprawdzić, czy wąż nie jest uszkodzony.

**WAŻNE:** jeśli nie można usunąć nieszczelności w instalacji gazowej, należy odłączyć dopływ gazu i skontaktować się z działem obsługi klienta.

**OSTRZEŻENIE:** NIGDY nie włączać palników podczas sprawdzania szczelności instalacji gazowej.

**UWAGA:** ponieważ niektóre roztwory stosowane do testów, w tym woda ze środkiem do mycia naczyń, mogą powodować rdzewienie, po zakończeniu testu szczelności wszystkie połączenia należy przemyć wodą.

## Podłączenie butli z gazem

- Doprowadzenie gazu lub wąż muszą być zgodne z obowiązującymi wymaganiami i muszą być regularnie sprawdzane i wymieniane w razie potrzeby. Wąż musi spełniać wymogi normy EN16436. Regulator musi spełniać wymogi normy EN16129

**NIEBEZPIECZENSTWO:** Nie wolno używać nastawnego regulatora ciśnienia (takiego jak używany w wypalaczach do chwastów). Ryzyko wybuchu lub zapłonu.

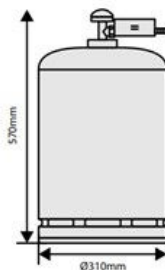
- Znamionowe ciśnienie wyjściowe gazu wynosi 28-37 mbar, a w Niemczech, Austrii i Szwajcarii 50 mbar.
- Zużyte lub uszkodzone węże należy wymienić. Sprawdzić, czy wąż nie jest ściśnięty lub pęknięty oraz czy nie styka się z piecem do pizzy, z wyjątkiem punktu, w którym jest podłączony.
- W niektórych regionach wąż i regulator mogą nie być dostarczane wraz z urządzeniem.
- Długość węża urządzenia nie powinna przekraczać 1,5 m.
- Podłączyć butlę gazową do pieca za pomocą węża i regulatora. Ostrożnie dokręć nakrętki, przy czym nie dokręcać ich zbyt mocno ani nie przekręcać. Należy uważać, aby nie uszkodzić przyłączy regulatora. Przed otwarciem butli gazowej upewnić się, że WSZYSTKIE zawory/przyciski pieca znajdują się w położeniu wyłączenia.
- Wąż regulatora należy umieścić z dala od ostrych przedmiotów i źródeł ciepła.
- Przed wymianą butli z gazem: upewnić się, że gaz jest odłączony przed odłączeniem węża i regulatora od butli (nie od samego pieca).
- Elastyczny wąż należy wymieniać zgodnie z obowiązującymi wytycznymi krajowymi.
- Nie używać butli LPG o maksymalnej szerokości przekraczającej 310 mm i wysokości przekraczającej 570 mm.

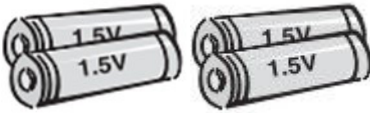
*Testy szczelności: Po zamontowaniu i zabezpieczeniu węża i regulatora zgodnie z instrukcjami można włączyć gaz. Następnie spryskaj złącza mieszanką wody i płynu do mycia naczyń, aby sprawdzić, czy nie ma nieszczelności.*

**UWAGA:** Należy upewnić się, że butla gazowa jest całkowicie odsunięta od pieca.

### Odłączanie butli z gazem:

- Przy odłączaniu butli gazowej: Upewnić się, że przycisk włączania/wyłączenia pieca jest ustawiony w pozycji OFF (WYŁ.). Upewnić się, że zawór butli jest zamknięty. Odłączyć zespół regulatora od butli gazowej i usunąć go. Aby uniknąć ryzyka zapłonu, butla z gazem musi znajdować się w odległości co najmniej jednego metra od pieca.
- Wymagania/zasady dotyczące regulatora i węża: regulator używany z tym piecem z palnikiem gazowym musi posiadać oznakowane CE i spełniać wymogi obowiązujących przepisów.
- Requirements/rules for regulator and hose: the regulator used with your gas burner oven must be CE-approved and comply with applicable requirements and regulations.





### Baterie:

- Baterie należy utylizować w odpowiedzialny sposób i przechowywać poza zasięgiem dzieci, gdyż może dojść do ich połamania. **Jeśli dziecko połknie baterię, należy natychmiast skontaktować się z lekarzem!**
- Nie wolno stosować starych baterii wraz z nowymi. Może to spowodować ich przegrzanie i wyciek z baterii.
- Baterii nienadających się do ładowania nie należy umieszczać w ładowarce.
- Baterii nie wolno rozbierać, ścisnąć, dziurawić czy uszkadzać w żaden sposób. Może to prowadzić do pęknięć lub wycieków.
- Aby zachować trwałość baterii, należy wyłączać urządzenie i wyjmować baterie, gdy urządzenie nie jest używane, lub nie będzie używane przez dłuższy czas.
- Należy używać określonego typu baterii (5 sztuk baterii AA).
- Baterie należy wkładać prawidłowo. Należy upewnić się, że bieguny (- i +) baterii są skierowane we właściwą stronę.
- Wyczerpane baterie należy natychmiast wyjąć z urządzenia i zutylizować je w bezpieczny i zgodny z przepisami sposób. Nie wyrzucaj baterii do śmieci, należy je zdać do najbliższego punktu recyklingu.

## SPECYFIKACJE TECHNICZNE

Numer modelu	Kraj odbioru	Łączna moc cieplna	Palniki	Oznakowanie wtryskiwacza/ oznakowanie rozmiaru	Kategorie	Rodzaje gazu
<b>Witt PICCOLO Rotante</b>	BE, CH, CY, CZ, ES, FR, GB, GR, IE, IT, LT, LU, LV, PT, SI, SK, TR, IL	5,2 kW	1	1,12 mm	I 3+(28~30/37)	Butan G30 28~30 mbar Propan G31 37 mbar
	BE, BG, CY, CZ, DK, EE, FI, GB, HR, HU, IT, LT, LU, SI, MT, NL, NO, RO, SE, KE, IS	5,2 kW	1	1,12 mm	I 3B/P(30)	Butan G30 lub Propan G31 30 mbar
	AT, CH, DE, SK	5,2 kW	1	1,06 mm	I 3P(50)	Propan G31 50 mbar
	PL	5,2 kW	1	1,12 mm	I 3P(37)	Butan G30 lub Propan G31 37 mbar

Informacje o produkcie	Witt PICCOLO Rotante
Wymiary	650 × 535 × 440
Masa netto/brutto	19 / 26

PIN CODE: 1336DO050

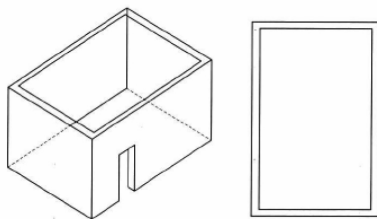


## INSTRUKCJE DOTYCZĄCE INSTALACJI NA ZEWNĄTRZ

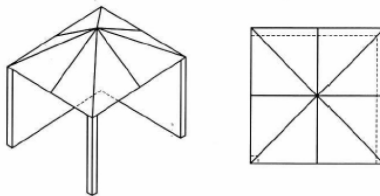
Piec do pizzy jest przeznaczony wyłącznie do użytku na zewnątrz i może być używany tylko w miejscu o dobrej wentylacji miejscu, z dala od materiałów łatwopalnych. NIGDY nie wolno używać pieca do pizzy w pomieszczeniach, garażach, werandach, szopach lub innych zamkniętych pomieszczeniach. Piec do pizzy nie jest przeznaczony do użytku na jednostkach pływających, w samochodach kempingowych lub przyczepach kempingowych i nie może być umieszczany w pobliżu powierzchni, które mogą się zapalić lub nie są odporne na wysoką temperaturę bądź pod takimi powierzchniami. Nie blokować dopływu powietrza i procesu spalania wokół pieca do pizzy, gdy jest on używany. Odpowiednia wentylacja jest niezbędna do zapewnienia bezpiecznego i prawidłowego działania oraz wydajności pieca do pizzy. Podnosi też bezpieczeństwo użytkownika i innych osób w strefie, w której używany jest piec do pizzy. Piec do pizzy NIGDY nie może być używany w zamkniętych, zadaszonych pomieszczeniach.

Jak pokazano poniżej, piec do pizzy musi być zainstalowany na zewnątrz, w miejscu otwartym z co najmniej dwóch stron lub od góry. Co ważne, w przypadku ewentualnego ulotnienia się gazu musi on mieć możliwość wydostania się na zewnątrz, co zapobiega eksplozji.

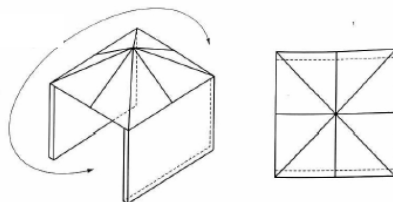
**Przykład 1:**  
**Wentylacja przez otwarty dach i otwarte drzwi**



**Przykład 2:**  
**Otwarcie po dwóch stronach: z przodu i z prawej**

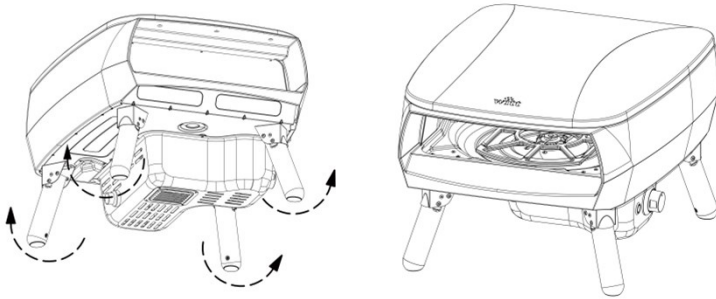


**Przykład 3:**  
**Otwarcie po dwóch stronach: z przodu i z tyłu**



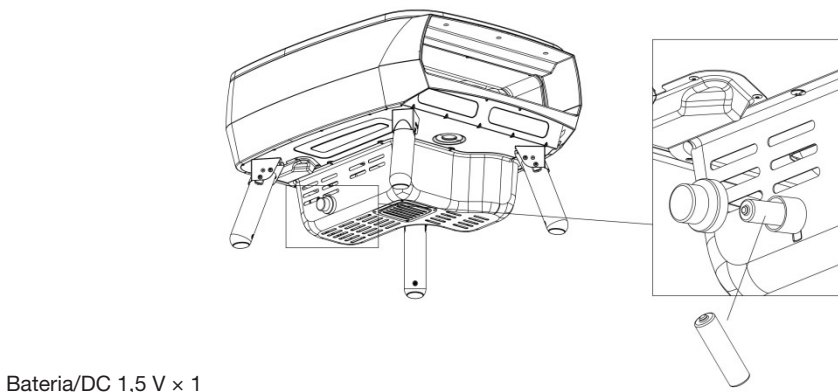
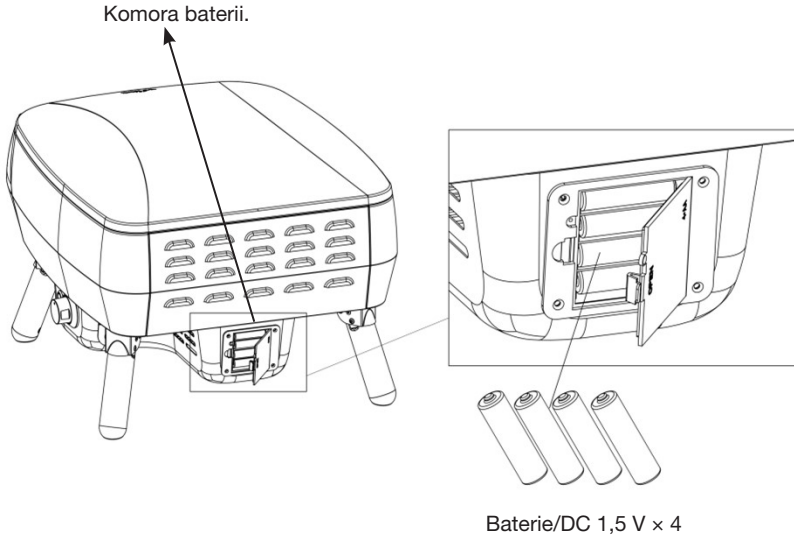
## Montaż:

1. Rozłożyć całkowicie nogi, a następnie postawić piec do pizzy.  
(należy pamiętać, że waży do 19 kg).

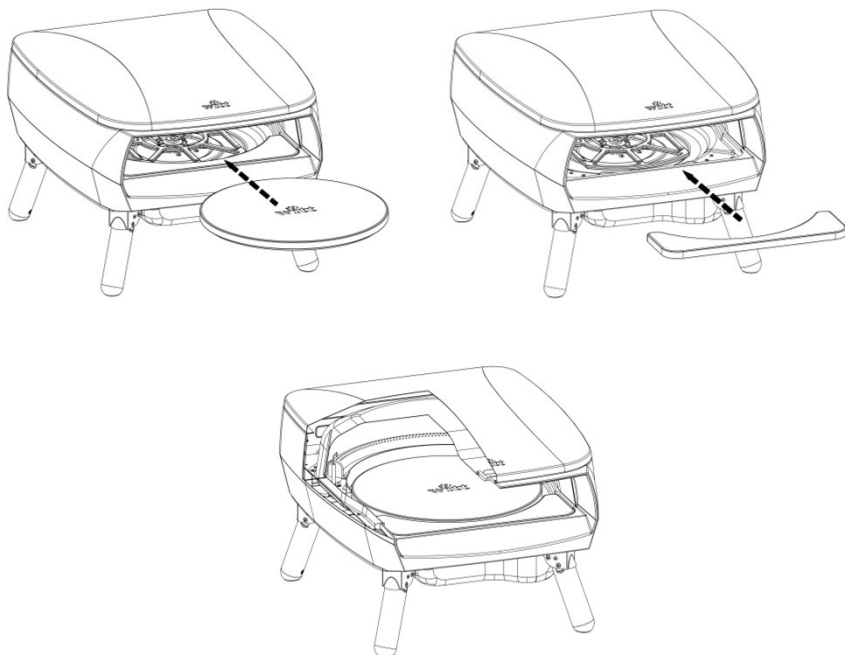


2. Odkręcić pokrywę elektronicznego zasilania i włożyć baterię AA. Zwrócić uwagę na oznaczenia (+) i (-) w komorze baterii. Przykręcić pokrywę. Otworzyć komorę baterii. Włożyć cztery nowe baterie AA i umieść je tak, aby oznaczenia (+) i (-) znajdowały się we właściwych punktach, zgodnie z oznaczeniami w komorze.

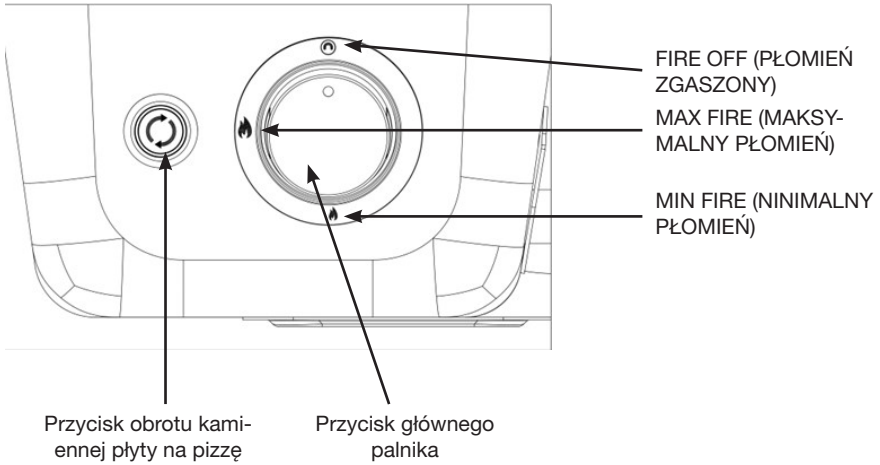
Zamknąć komorę baterii.



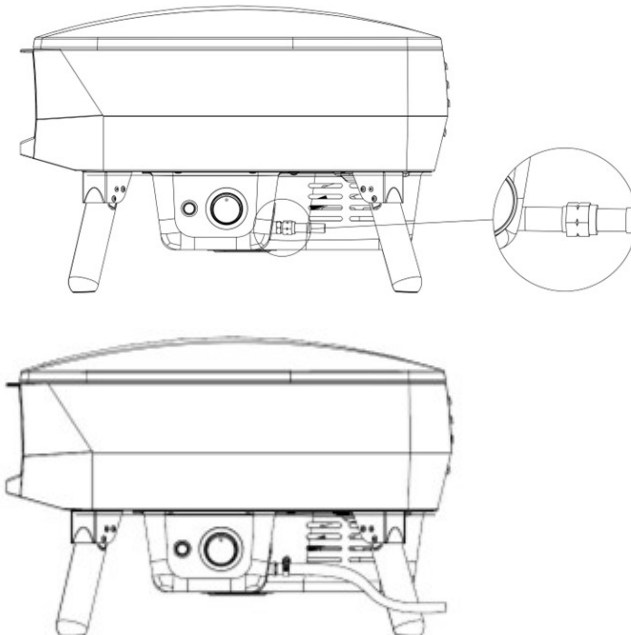
3. Zdjąć opakowanie z kamiennej płyty do pizzy i umieścić ją na tacy do pizzy.



4. Przed podłączeniem węża doprowadzającego gaz upewnić się, że przyciski palników znajdują się w pozycji OFF (WYŁ.).



5. Podłączyć wąż gazu do pieca do pizzy.

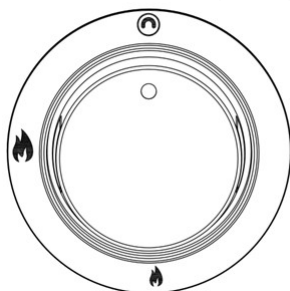


## KORZYSTANIE Z PIECA DO PIZZY/INSTRUKCJE DOTYCZĄCE ZAPŁONU

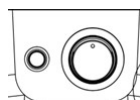
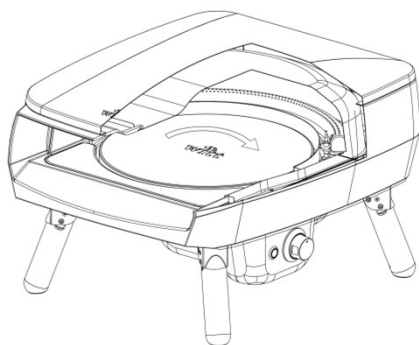
Po prawidłowym podłączeniu regulatora można włączyć gaz.



### Witt PICCOLO Rotante

Aby zapalić palnik, wcisnąć i jednocześnie powoli obracać przycisk włączania/wyłączania w kierunku przeciwnym do ruchu wskazówek zegara, aż rozlegnie się kliknięcie i palnik zapali się. Zajmie to około 8-10 sekund, ponieważ gaz musi przepłynąć przez rurkę palnika do pieca. Przytrzymać przycisk włączania/wyłączania przez kolejne 10 sekund po zapłonie, a następnie zwolnić przycisk. Wyregulować palnik zgodnie z potrzebami. Jeśli palnik nie włączy się, pozostawić przycisk w pozycji OFF (WYŁ.) i odczekać pięć minut przed ponowną próbą.



Nacisnąć przycisk, aby włączyć obroty kamiennej płyty na pizzę.



Symbol	Opis
	Główny palnik
	Obroty

## CZYSZCZENIE I KONSERWACJA

### Elementy zewnętrzne:

- Przed czyszczeniem elementów zewnętrznych upewnić się, że piec do pizzy ostygł i jest można go bezpiecznie dotknąć.
- Części malowane oraz powierzchnie plastikowe można czyścić wodą z łagodnym środkiem do mycia i czystą ściereczką (nie używać środków do szorowania lub usuwania tłuszczu ani czyścików do szorowania).
- Zaleca się, aby najpierw przetestować detergent na mniejszej powierzchni urządzenia. NIGDY nie używać rozcieńczalników do farb lub podobnych rozpuszczalników i NIGDY nie wylewać zimnej wody na rozgrzane powierzchnie.
- Przetrzeć ściereczką.

### Wnętrze:

- Przed czyszczeniem wnętrza upewnić się, że piec do pizzy ostygł i jest można go bezpiecznie dotknąć.

Przed czyszczeniem wyjąć okrągłą płytę kamienną na pizzę i przedni element kamienny

- Aby wyczyścić uporczywe zabrudzenia lub tłuszcz, użyć niewielkiej ilości sody oczyszczonej na mokrej gąbce. Nie używać środków do szorowania.

### Kamienna płyta na pizzę:

- Kamienna płyta na pizzę jest przeznaczona wyłącznie do użytku w piecu do pizzy marki Witt, nie jest przeznaczona do użytku na otwartym ogniu.
- Kamienna płyta na pizza jest delikatna i może pęknąć, jeśli zostanie uderzona lub upuszczona.
- Kamienna płyta na pizzę podczas użytkowania bardzo się nagrzewa i pozostaje gorąca przez długi czas po użyciu.
- Aby wyczyścić kamienną płytę na pizzę, rozgrzać piec przez około 30 minut, po jego ostygnięciu można z niego usunąć pozostałości, na przykład za pomocą szczotki do pieca do pizzy marki Witt.
- Nieużywaną kamienną płytę na pizzę i przedni element kamienny należy przechowywać w suchym miejscu, ponieważ są wrażliwe na wilgoć.

## ROZWIĄZYWANIE PROBLEMÓW

### Palnik nie zapala się:

Zawór gazu nie jest włączony.	Włączyć zawór.
Butla z gazem jest pusta.	Wymienić butlę gazową na nową.
Przycisk zapłonu nie działa.	Sprawdzić baterię.
Brak iskry w zapłonie.	Skontaktować się z punktem serwisowym

### Płomień palnika jest nierównomierny:

Płomień pali się wewnątrz palnika (szumienie).	Wyłączyć palnik i odczekać, aż ostygnie. Następnie ponownie spróbować zapalić.
Uszkodzenie regulatora.	Skontaktować się z punktem serwisowym
Wtryskiwacz jest częściowo zatkany.	Wyczyścić wtryskiwacz szczoteczką do zębów. Nie wiercić i nie używać drutu do usuwania niedrożności. Skontaktować się z punktem serwisowym

### Nieszczelność złączy instalacji gazowej:

Poluzowane połączenia.	Dokręcić poluzowane połączenia (nie dokręcać zbyt mocno) i wykonać test szczelności przy użyciu wody ze środkiem do mycia. (patrz instrukcje „Test szczelności” na stronie 4).
Uszkodzenie węża.	Wymienić wąż. (Skontaktować się z punktem serwisowym).
Zawór gazu nie uszkodzony.	Skontaktować się z punktem serwisowym
Złącza/ połączenia są uszkodzone.	Skontaktować się z punktem serwisowym

### Kamienna płyta na pizzę nie obraca się:

Kamienna płyta na pizzę nie obraca się.	Upewnić się, że kabel zasilacza jest prawidłowo podłączony i że zasilanie jest włączone. Upewnić się, czy baterie są prawidłowo umieszczone w komorze baterii. Sprawdzić, czy baterie są w pełni naładowane i w razie potrzeby wymienić je. Aby upewnić się, że przedni element kamienny nie blokuje obrotu, musi on być przesunięty przedniej krawędzi pieca.
Uszkodzenie kamiennej płyty na pizzę.	Skontaktować się z punktem serwisowym
Uszkodzony przycisk/styk lub przewody.	Skontaktować się z punktem serwisowym



## GWARANCJA I SERWIS

### WAŻNE

Gwarancja obejmuje materiały i robociznę. Kontaktując się z działem serwisu, należy podać nazwę, numer seryjny produktu i wypełnić formularz serwisowy pod adresem

<https://service.witt.dk/service/da/witt/pizzaservice.aspx>.

Dane te znajdują się na tabliczce znamionowej. Dane te należy zapisać w niniejszych instrukcjach, aby mieć je pod ręką. Ułatwia to serwisantowi znalezienie odpowiednich części zamiennych.

W okresie gwarancyjnym ten piec do pizzy zostanie naprawiony przez Autoryzowany punkt serwisowy firmy Witt, pod warunkiem, że piec do pizzy zostanie dostarczony do tego punktu i z niego odebrany, patrz regulamin poniżej.

### GWARANCJA

Dwa lata

### GWARANCJA NIE OBEJMUJE:

1. Usterek i uszkodzeń, które nie są spowodowane wadami produkcyjnymi lub materiałowymi.
2. Normalnego, uzasadnionego zużycie (np. odbarwienia rusztu/płyty pod wpływem gorąca).
3. Uszkodzeń produktu spowodowanych przez szkodniki.
4. Użycia nieoryginalnych części zamiennych.
5. Jeśli nie zastosowano się do instrukcji zawartych w podręczniku użytkownika.
6. Jeśli urządzenie nie zostało ustawione/zmontowane zgodnie z instrukcjami.
7. Jeśli produkt został zainstalowany lub naprawiony przez osoby niebędące profesjonalistami.
8. Rdzy i zmatowień.

### USZKODZENIA PODCZAS TRANSPORTU

Jeśli produkt zostanie uszkodzony podczas transportu i zostanie to stwierdzone dopiero, gdy sprzedawca dostarczy produkt klientowi, będzie to wyłącznie kwestia do rozstrzygnięcia między klientem a sprzedawcą. W przypadku, gdy klient sam przetransportował produkt, dostawca nie ponosi odpowiedzialności za ewentualne uszkodzenia powstałe podczas transportu. Wszelkie uszkodzenia powstałe podczas transportu muszą zostać zgłoszone niezwłocznie i nie później niż 24 godziny po dostarczeniu produktu. przeciwnym razie reklamacja klienta zostanie odrzucona.

## **ZAKUPY W CELACH KOMERCYJNYCH**

Zakupy w celach komercyjnych to wszelkie zakupy urządzeń, które nie są przeznaczone do użytku w prywatnych gospodarstwach domowych, które mają być wykorzystywane w celach komercyjnych (w restauracjach, kawiarniach, stołówkach itp.) lub są przeznaczone do wynajmu lub innego wykorzystania przez wielu użytkowników.

W przypadku zakupów w celach komercyjnych nie udzielamy gwarancji, ponieważ produkt ten jest przeznaczony wyłącznie do zwykłego użytku domowego.

### **Wszystkie zgłoszenia serwisowe:**

E-MAIL: [service@wittpizza.dk](mailto:service@wittpizza.dk)

Więcej informacji na stronie: [www.wittpizza.com](http://www.wittpizza.com)

### **Deklaracja zgodności WE**

Firma Witt Hvidevarer A/S niniejszym potwierdza, że poniższe akcesorium spełnia wszystkie stałe i zasadnicze wymogi określone w dyrektywie UE 2014/53.

1935/2004. Witt Hvidevarer A/S Gødstrup Søvej 9, DK-7400 Dania. Witt US, LLC PO BOX: 1044, 800 State Route 11, Champlain, NY 12919, USA, Witt UK & Ireland Ltd. 4 Tannery House, Tannery Lane, Send, Working, Surrey, GU23 7EF. [www.witt.dk](http://www.witt.dk)

## ТАБЛИЦА НА СЪДЪРЖАНИЕТО

ИНСТРУКЦИИ ЗА БЕЗОПАСНОСТ .....	52
Тест за теч .....	53
Свързване на газовата бутилка .....	54
Изключване на газовата бутилка .....	54
Батерии.....	55
ТЕХНИЧЕСКА ИНФОРМАЦИЯ .....	56
РЪКОВОДСТВО ЗА МОНТАЖ НА ОТКРИТО .....	57
Сглобяване: .....	58
ИЗПОЛЗВАНЕ НА ПЕЩТА ЗА ПИЦА/РЪКОВОДСТВО ЗА ЗАПАЛВАНЕ .....	62
ПОЧИСТВАНЕ И ПОДДРЪЖКА.....	63
ОТСТРАНЯВАНЕ НА НЕИЗПРАВНОСТИ.....	64
ГАРАНЦИЯ И ОБСЛУЖВАНЕ .....	65

## ИНСТРУКЦИИ ЗА БЕЗОПАСНОСТ

За да се намали рискът от пожар или други повреди, прочетете внимателно и изцяло това ръководство за безопасност, преди да използвате този уред.



- НЕ ИЗПОЛЗВАЙТЕ ТОЗИ УРЕД, ПРЕДИ ДА СТЕ ПРОЧЕЛИ ИНСТРУКЦИИТЕ ЗА УПОТРЕБА
- НЕ ПОСТАВЯЙТЕ ПРЕДМЕТИ ВЪРХУ ИЛИ ДО ТОЗИ УРЕД
- НЕ СЪХРАНЯВАЙТЕ ХИМИКАЛИ, ЗАПАЛИМИ МАТЕРИАЛИ ИЛИ СПРЕЙОВЕ В БЛИЗОСТ ДО ТОЗИ УРЕД.
- НЕ ИЗПОЛЗВАЙТЕ ТОЗИ УРЕД В ПОМЕЩЕНИЕ
- НЕ ДОПУСКАЙТЕ В УРЕДА ДА СЕ НАТРУПВАТ МАЗНИНИ/ МАСЛА, ПЕПЕЛ ИЛИ НЕИЗГОРЯЛО ГОРИВО МЕЖДУ ПЕРИОДИТЕ НА УПОТРЕБА.

- **ПРЕДУПРЕЖДЕНИЕ:** елементите на печта за пица могат да бъдат много горещи!
- Само за употреба на открито. Никога не използвайте печта за пица в затворени, покрити помещения.
- Пазете децата и домашните любимци далеч от уреда по всяко време.
- Не премествайте уреда по време на работа.
- След използване на уреда изключете подаването на газ от газовата бутилка.
- Не модифицирайте уреда.
- Запечатаните оригинални компоненти от производителя не могат да бъдат променени от потребителя.
- Винаги носете ръкавици за барбекю, когато работите с горещи компоненти.
- Не съхранявайте уреда на закрито, освен ако газовата бутилка е откачена. Ако уредът не се използва продължително време, той трябва да се изнесе и да се съхранява в оригиналната си опаковка на сухо място.

Забележка: газовата бутилка трябва винаги да се съхранява на открито, на място с добра вентилация. Откачена газова бутилка не трябва да се съхранява в сграда, гараж или друго затворено помещение! Газовите бутилки трябва да се съхраняват изправени на открито, на място, недостъпно за деца.

- **ПРЕДУПРЕЖДЕНИЕ:** Почистването и поддръжката трябва да се извършват само когато печта е напълно изстинала и когато газовата бутилка е откачена.

- Никога не позволявайте на дрехи или други запалими материали да влизат в контакт или да се доближават твърде близо до горелката или която и да е гореща повърхност, докато уредът не изстине. Материалът може да се възпламени и да причини сериозни наранявания.
- - Някои синтетични материали са силно запалими и не трябва да се носят, когато се използва пещта. Когато използвате пещта, не трябва да носите широки дрехи или ръкави.
- Долната част на пещта също достига високи температури. Не поставяйте пещта за пица върху пластмасови маси или други възпламеними повърхности, покривки или други подобни.
- Пещта за пица не е предназначена за използване на лодки, кемпери или каравани.
- Не модифицирайте пещта за пица, тъй като това може да доведе до нараняване на хора или повреда на продукта.
- Неразрешените модификации на пещта за пица също водят до прекратяване на гаранцията.
- Над пещта за пица не трябва да има нищо надвиснало, например дървета или покривни конструкции.

#### ТЕСТ ЗА ТЕЧОВЕ:

- **ПРЕДИ УПОТРЕБА ПРОВЕРЕТЕ ВСИЧКИ ГАЗОВИ ВРЪЗКИ, СЪЕДИНЕНИЯ И СЪЕДИНЕНИЯ НА УРЕДА:** Въпреки че газовите връзки на уреда са тествани за течове преди опаковане и транспортиране, на мястото на монтажа трябва да се извърши пълна проверка. Ако в даден момент усетите мирис на газ, незабавно спрете да използвате пещта за пица и проверете цялата система за течове. Направете разтвор с капка течен препарат за миене на съдове и малко вода. Необходими са бутилка с пулверизатор, четка или кърпа, за да нанесете разтвора върху фитингите. Нанесете сапунения разтвор върху всички газови фитинги. На местата, където има теч, ще се появят сапунени мехурчета. Ако има теч, незабавно изключете подаването на газ и затегнете изпускателните елементи. Извършвайте тест за течове всеки път, когато смените резервоара за газ, или след продължителен период от време, през който пещта не е била използвана.
- Уверете се, че клапанът е правилно разположен. Уверете се, че маркучът не е повреден.

**ВАЖНО:** ако изтичането на газ не може да бъде спряно, изключете подаването на газ и се свържете с отдела за обслужване на клиенти.

**ПРЕДУПРЕЖДЕНИЕ:** НИКОГА не включвайте горелките, докато се извършва проверка за изтичане на газ.

**ЗАБЕЛЕЖКА:** тъй като някои тестови разтвори, включително сапунена вода, могат да причинят ръжда, след приключване на теста за течове всички връзки трябва да се изплакнат с вода.

## Свързване на газовата бутилка:

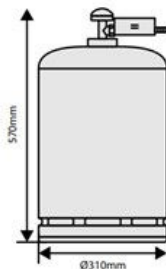
- Газоподаването или маркучът трябва да отговарят на приложимите изисквания и трябва да се проверяват редовно и да се подменят при необходимост. Маркучът трябва да отговаря на стандарта EN16436. Регулаторът трябва да отговаря на стандарта EN16129.  
ОПАСНОСТ: Не използвайте регулируем регулатор на налягането (например такъв, какъвто се използва за горелки за плевели). Риск от експлозия или възпламеняване.
- Номиналната мощност (налягане на газа) е между 28-37 mbar, а в Германия, Австрия и Швейцария - 50 mbar.
- Износените или повредени маркучи трябва да се сменят. Проверете дали маркучът не е притиснат, разцепен или в контакт с пещта за пица, с изключение на мястото, където е свързан.
- В някои региони маркучът и регулаторът може да не се доставят с уреда.
- Маркучът за уреда не трябва да надвишава 1,5 м.
- Свържете газовата бутилка към пещта с помощта на маркуча и регулатора. Внимателно затегнете гайките, но не ги затягайте прекалено и не ги усуквайте. Внимавайте да не повредите фитингите на регулатора. Преди да отворите газовата бутилка, се уверете, че ВСИЧКИ клапани/бутони на пещта са в положение "Изключено".
- Маркучът на регулатора трябва да се съхранява на разстояние от остри предмети и източници на топлина.
- Преди да смените газовата бутилка: уверете се, че газта е изключена, преди да изключите маркуча и регулатора от бутилката (а не от самата пещ).
- Подменете гъвкавия маркуч в съответствие с приложимите национални указания.
- Не използвайте бутилка за втечен нефтен газ, чиято максимална широчина надвишава 310 мм, а височината - 570 мм.

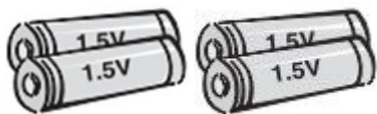
Тестове за течове: След като маркучът и регулаторът са монтирани и закрепени в съответствие с инструкциите, газта може да се включи. След това напръскайте fugите със смес от вода и сапун, за да проверите за евентуални течове.

**ЗАБЕЛЕЖКА:** Уверете се, че газовата бутилка е напълно изолирана от пещта.

## Откачване на газовата бутилка:

- - При откачване на газовата бутилка: Уверете се, че бутонът за включване/изключване на пещта е поставен в положение OFF (Изключено). Уверете се, че клапанът на бутилката е в затворено положение. Изключете блока на регулатора от газовата бутилка и го извадете. Не забравяйте да държите газовата бутилка на поне един метър от пещта, за да избегнете риск от запалване.
- Изисквания/правила за регулатора и маркуча: регулаторът, използван с Вашата пещ с газова горелка, трябва да бъде одобрен от CE и да отговаря на приложимите изисквания и разпоредби.





#### Батерии:

- - Изхвърляйте батериите отговорно и ги дръжте на място, недостъпно за деца, в противен случай те могат да ги погълнат. Ако дете погълне батерия, незабавно се свържете с лекар!
- Не смесвайте стари батерии с нови. Това може да доведе до прегряване на батериите и тяхното протичане.
- Батериите, които не могат да се презареждат, не трябва да се поставят в зарядно устройство.
- Не разглобявайте, не притискайте, не пробивайте и не повреждайте батериите по никакъв начин. Това може да доведе до счупване или течове.
- Поддържайте издръжливостта на батериите, като изключвате уреда и изваждате батериите от контакта, когато уредът не се използва или не се очаква да се използва за продължителен период от време.
- Използвайте конкретния тип батерии (5 × батерии тип AA).
- Поставяйте правилно батериите. Уверете се, че полюсите (- и +) на батериите са обърнати в правилната посока.
- Незабавно извадете изтощените батерии от уреда и ги изхвърлете безопасно и правилно в съответствие с нормативните изисквания. Не изхвърляйте батериите в кошчето за боклук, те трябва да се изхвърлят в най-близкия център за рециклиране.

## ТЕХНИЧЕСКА ИНФОРМАЦИЯ

Номер на модела	Държава получател	Общо топлоподаване	Горелки	Инжектор/ етикетиране на размера	Категории	Типове газ
<b>Witt PICCOLO Rotante</b>	BE, CH, CY,CZ, ES,FR, GB,GR,IE,IT,LT,LU,LV,PT, SI,SK,TR, IL	Φ 5,2kw	1	1.12mm	I 3+(28~30/37)	G30 Бутан 28~30mbar G31 Пропан 37mbar
	BE, BG, CY, CZ, DK, EE, FI, GB, HR, HU, IT, LT, LU, SI, MT, NL, NO, RO, SE, KE,IS	Φ 5,2kw	1	1.12mm	I 3B/P(30)	G30 Бутан или G31 Пропан 30mbar
	AT, CH, DE, SK	Φ 5,2kw	1	1.06mm	I 3P(50)	G31 Пропан 50mbar
	PL	Φ 5,2kw	1	1.12mm	I 3P(37)	G30 Бутан или G31 Пропан 37mbar

Подробности за продукта	<b>Witt PICCOLO Rotante</b>
Размери	650 × 535 × 440
Терло NW/GW	19 / 26

ПИН КОД: 1336D0050



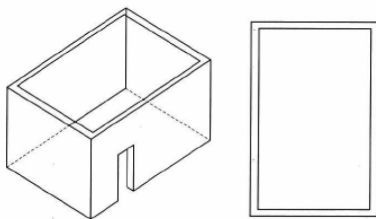
## РЪКОВОДСТВО ЗА МОНТАЖ НА ОТКРИТО

Пещта за пица е предназначена изключително за употреба на открито и може да се използва само на добре проветриво място, далеч от запалими материали. НИКОГА не използвайте пещта за пица на закрито, в гаражи, на веранди, навеси или други затворени помещения. Пещта за пица не е предназначена за използване на лодки, кемпери или каравани и не може да се поставя в близост до или под повърхности, които могат да изгорят или са чувствителни към топлина. Не блокирайте притока на въздух и горенето около пещта за пица, когато тя се използва. За безопасното и правилно функциониране и ефективност на пещта за пица е необходима подходяща вентилация. Освен това е по-безопасно за потребителя и за другите хора в района, където се използва пещта за пица. Пещта за пица НИКОГА не трябва да се използва в затворени, покрити помещения.

Както е показано по-долу, пещта за пица трябва да се монтира на открито на място, където е отворена поне от две страни или отгоре. Важно е да се отбележи, че при евентуално изтичане на газ има възможност газът да излезе и да се отдалечи, така че да не се стигне до експлозия.

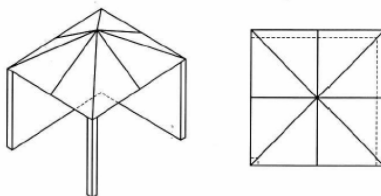
Пример 1:

Вентилация от открит покрив и отворена врата



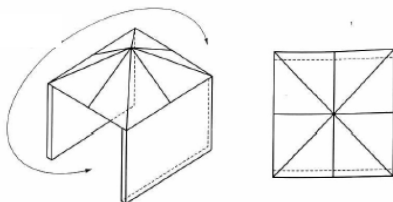
Пример 2:

Открито и от двете страни: Отпред и отдясно



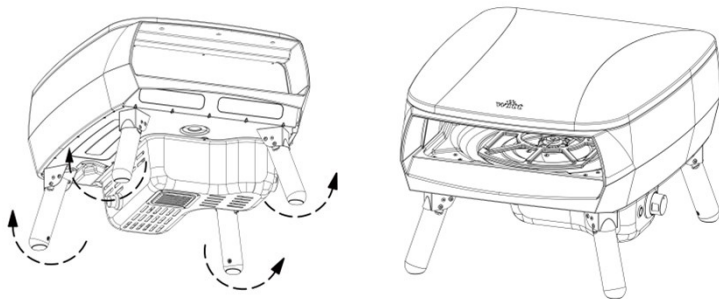
Пример 3:

Открито и от двете страни: Отпред и отзад



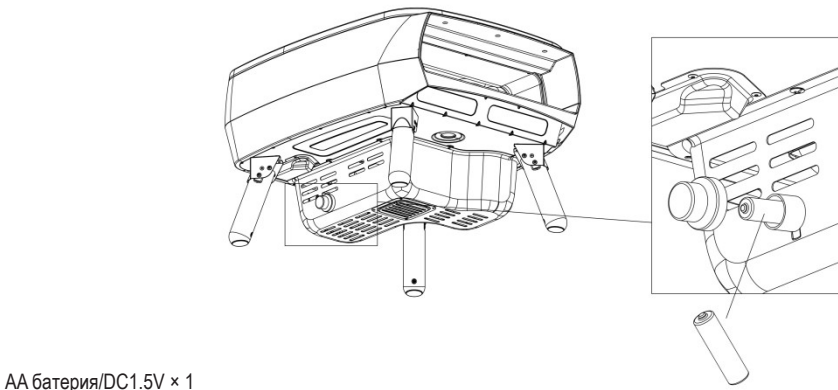
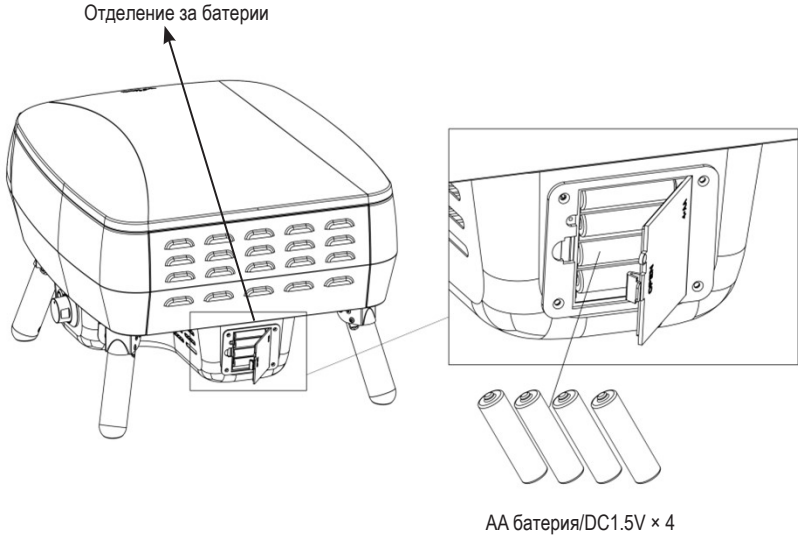
## Сглобяване:

1. Разгънете напълно крачетата и поставете печта за пица (имайте предвид, че теглото е до 19 кг).

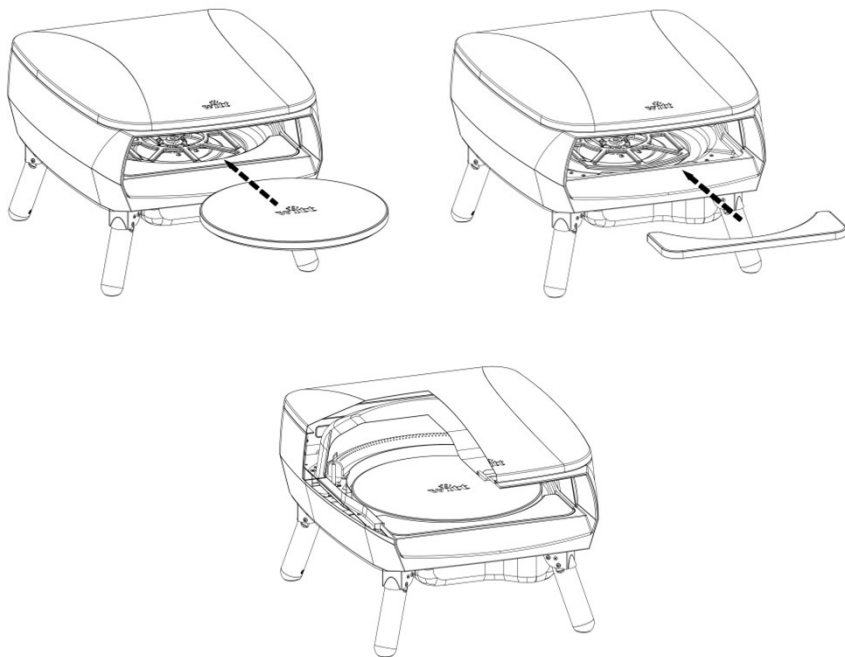


2. Отвийте капака на електронното запалване и поставете една батерия AA. Обърнете внимание на маркировките (+) и (-) в отделението за батерии. Завийте капака обратно на мястото му. Отворете отделението за батерии. Поставете четири нови батерии AA и поставете батериите така, че (+) и (-) да са в правилната посока в съответствие с указанията.

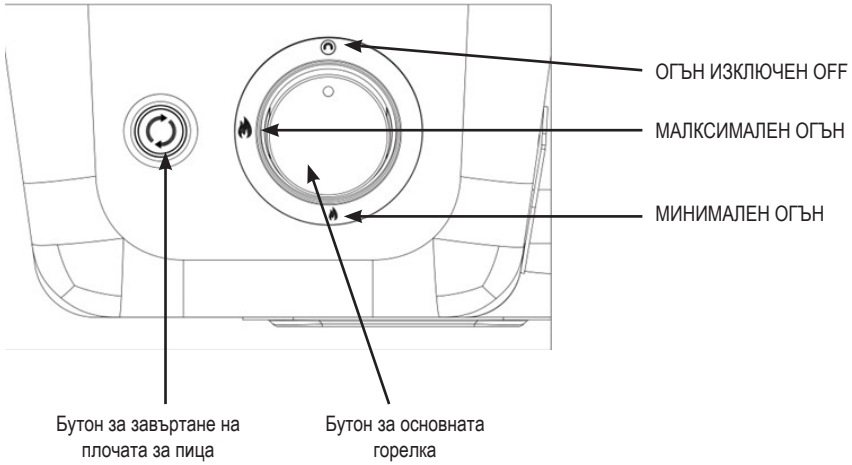
Затворете отделението за батерии.



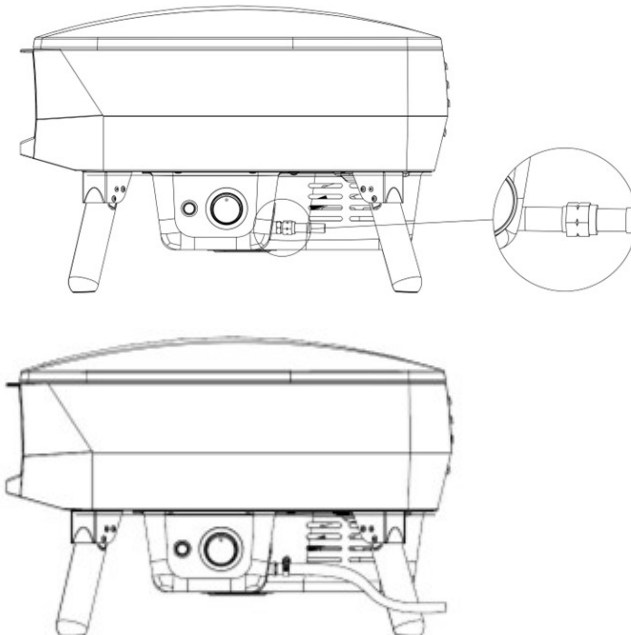
3. Отстранете опаковката от плочата за пица и я поставете в подноса на плочата за пица.



4. Уверете се, че бутоните на горелките са в положение OFF (Изключено), преди да свържете маркуча за газ.



5. Свържете маркуча за газ към пещта за пица.

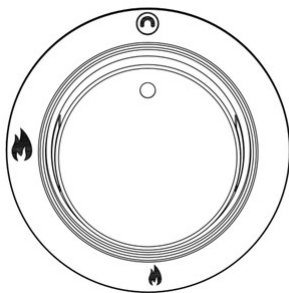


## ИЗПОЛЗВАНЕ НА ПЕЦТА ЗА ПИЦА / РЪКОВОДСТВО ЗА ЗАПАЛВАНЕ

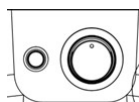
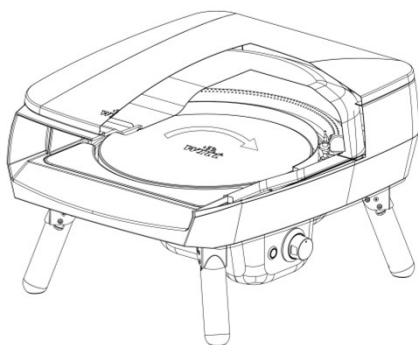
Когато регулаторът е правилно свързан, газта може да се включи.

### Witt PICCOLO Rotante

За да запалите горелката: натиснете и едновременно с това завъртете бавно бутона за включване/изключване обратно на часовниковата стрелка, докато чуете щракване и горелката се запали. Това ще отнеме около 8-10 секунди, тъй като газът трябва да премине през тръбата на горелката до печта. След запалването задръжте бутона за включване/изключване още 10 секунди и след това го освободете. Настройте горелката по желание. Ако горелката не се включи, оставете бутона в положение OFF и изчакайте пет минути, преди да опитате отново.



Натиснете бутона, за да настроите завъртането на плочата за пица.



Символ	Описание
	Основна горелка
	Възможност за завъртане

## ПОЧИСТВАНЕ И ПОДДРЪЖКА

## Отвън:

- Уверете се, че пещта за пица е изстинала и е безопасна за допир, преди да почистите външната ѝ част.
- Боядисаните части, както и пластмасовите повърхности могат да се почистват с мека сапунена вода и чиста кърпа (не използвайте препарати за почистване или за отстраняване на мазнини, нито тампон за почистване).
- Препоръчително е първо да изпробвате препарата върху по-малка част от уреда. НИКОГА не използвайте препарати за разреждане на боя или подобни разтворители и НИКОГА не изливайте студена вода върху топли повърхности.
- Избършете с кърпа.

## Отвътре:

- Уверете се, че пещта за пица е изстинала и е безопасна за допир, преди да почистите вътрешността ѝ.
- Извадете кръглата плоча за пица и предната плоча преди почистване
- За да почистите упорити замърсявания или мазнини, използвайте малко сода бикарбонат върху мокра гъба. Не използвайте почистващи препарати.

## Плоча за пица:

- Плочата за пица е предназначена изключително за използване в пещта за пица Witt, не е предназначена за използване на открит огън.
- Плочата за пица е крехка и може да се счупи, ако бъде ударена или изпусната.
- Плочата за пица се нагрява силно по време на употреба и остава топла дълго време след употреба.
- За да почистите плочата за пица, загрейте пещта за около 30 минути и можете да отстраните остатъците от плочата за пица след охлаждането ѝ, например с четката за пещ за пица на Witt.
- Плочата за пица и предната плоча трябва да се съхраняват на сухо между отделните употреби, тъй като не понасят влага.

## ОТСТРАНЯВАНЕ НА НЕИЗПРАВНОСТИ

### Горелката не се запалва:

Газовият клапан не е включен.	Включете клапана.
Газовата бутилка е празна.	Сменете газовата бутилка с нова.
Бутонът за запалване не работи.	Проверете батерията.
При запалване няма искра.	Свържете се с обслужващия център

### Пламъкът на горелката е непостоянен:

Пламъкът гори вътре в горелката (шепнеш звук).	Изключете горелката и я оставете да изстине. След това опитайте да запалите още веднъж.
Регулаторът е повреден.	Свържете се с обслужващия център
Инжекторът е частично блокиран.	Почистете инжектора с четка за зъби. Не пробивайте и не използвайте тел/стоманена тел за отстраняване на запушвания. Свържете се с обслужващия център

### Теч на газ между фугите:

Връзките са разхлабени.	Затегнете разхлабените връзки (не ги затягайте прекалено) и направете тест за течове под налягане със сапунена вода. (вижте инструкциите "Тест за течове", страница 4.
Маркучът е повреден.	Сменете маркуча. (Свържете се с обслужващия център).
Газовият клапан е повреден.	Свържете се с обслужващия център
Връзките/съединенията са повредени.	Свържете се с обслужващия център

### Плочата за пица не се върти:

Плочата за пица не се върти.	Уверете се, че кабелът от захранващия адаптер е свързан правилно и че захранването е включено. Уверете се, че батериите са поставени правилно в отделението за батерии. Проверете дали батериите са напълно заредени и ги сменете, ако е необходимо. За да се гарантира, че предната плоча не блокира въртенето, тя трябва да се избута напред до отвора на пещта.
Плочата за пица е повредена.	Свържете се с обслужващия център
Бутонът/контактът или кабелите са повредени.	Свържете се с обслужващия център



## ГАРАНЦИЯ И ОБСЛУЖВАНЕ

### ВАЖНО

Гаранцията включва материали и разходи за заплати. Когато се свързвате със обслужващия отдел, моля, посочете името, серийния номер на продукта и попълнете сервизния формуляр на адрес <https://service.witt.dk/service/da/witt/pizzaservice.aspx>.

Тази информация може да бъде намерена върху знака за типа. Запишете информацията в тези инструкции, за да я имате под ръка. Това улеснява сервизния техник да намери правилните резервни части.

По време на гаранционния период Вашата пещ за пица ще бъде ремонтирана от оторизиран сервизен център на Witt, при условие че Вашата пещ за пица е доставена и взета от обслужващия център, вижте правилата и условията по-долу.

### ГАРАНЦИЯ

Две години

### ГАРАНЦИЯТА НЕ ВКЛЮЧВА:

1. Дефекти и повреди, които не се дължат на проблеми с производството или материала
2. Нормално, разумно износване (напр. термично обезцветяване на решетката/плочите).
3. Повреди на продукта, причинени от вредители.
4. При използването на неоригинални резервни части.
5. Ако не са спазени инструкциите в ръководството за потребителя.
6. Ако устройството не е било настроено/сглобено, както е посочено в инструкциите
7. Ако непрофесионалисти са инсталирали или ремонтирали продукта.
8. Ръжда и потъмняване.

### ПОВРЕДИ ПРИ ТРАНСПОРТИРАНЕ

Ако продуктът е повреден по време на транспортирането и това се установи едва когато търговецът на дребно достави продукта на клиента, това е изключително въпрос между клиента и търговеца на дребно. В случаите, когато клиентите сами са транспортирали продукта, доставчикът не носи отговорност за евентуални повреди по време на транспортирането. Всяка повреда, причинена по време на транспортирането, трябва да бъде докладвана незабавно и не по-късно от 24 часа след доставката на продукта. В противен случай претенцията на клиента ще бъде отхвърлена.

## ТЪРГОВСКИ ПОКУПКИ

Търговски покупки са всички покупки на устройства, които не са предназначени за използване в частни домакинства, а с търговски цели (в ресторанти, кафенета, столове и т.н.) или са предназначени за отдаване под наем или за използване по друг начин последователно от множество потребители.

Не се предлага гаранция за търговски покупки, тъй като този продукт е предназначен само за обикновена домашна употреба.

Всички заявки за услуги:

ИМЕЙЛ: [service@wittpizza.dk](mailto:service@wittpizza.dk)

Вижте повече на: [www.wittpizza.com](http://www.wittpizza.com)

ЕО декларация за съответствие:

С настоящото Witt Hvidevarer A/S потвърждава, че следният аксесоар отговаря на всички постоянни и съществени изисквания съгласно Директива 2014/53 на ЕС.

1935/2004. Witt Hvidevarer A/S Gødstrup Søvej 9, DK-7400 Дания. Witt US, LLC PO BOX: 1044, 800 State Route 11, Champlain, NY 12919, САЩ, Witt UK & Ireland Ltd. 4 Tannery House, Tannery Lane, Send, Working, Surrey, GU23 7EF. [www.witt.dk](http://www.witt.dk)

## OBSAH

BEZPEČNOSTNÍ POKYNY.....	68
<i>Zkouška těsnosti.....</i>	69
<i>Připojení plynové lahve.....</i>	70
<i>Odpojení plynové lahve .....</i>	70
<i>Baterie .....</i>	71
TECHNICKÉ INFORMACE .....	72
PRŮVODCE VENKOVNÍ INSTALACÍ .....	73
<i>Montáž: .....</i>	74
POUŽITÍ PECE NA PIZZU / PRŮVODCE ZAPALOVÁNÍM .....	78
ČIŠTĚNÍ A ÚDRŽBA.....	79
ŘEŠENÍ PROBLÉMŮ.....	80
ZÁRUKA A SERVIS.....	81

## BEZPEČNOSTNÍ POKYNY

Abyste snížili riziko požáru nebo jiného poškození, před použitím pece si pečlivě přečtěte celou bezpečnostní příručku.



- **NEPOUŽÍVEJTE** PEC, DOKUD SI NEPŘEČTETE NÁVOD K POUŽITÍ
- **NEPOKLÁDEJTE ANI NEOPÍREJTE** O PEC ŽÁDNÉ PŘEDMĚTY
- **NEUCHOVÁVEJTE** V BLÍZKOSTI PECE CHEMIKÁLIE, HOŘLAVÉ MATERIÁLY ANI NÁDOBY SE SPREJI
- **NEPOUŽÍVEJTE** PEC V INTERIÉRU
- **NEDOVOLTE**, ABY SE V PECE MEZI JEDNOTLIVÝMI OBDOBÍMI POUŽÍVÁNÍ HROMADILY TUKY/OLEJE, POPEL NEBO NESPÁLENÉ PALIVO.

- **VAROVÁNÍ:** části pece mohou být velmi horké!
- Pouze pro venkovní použití. Pec nikdy nepoužívejte v uzavřených, krytých místnostech.
- Neustále dohlížejte, aby se k peci nepřibližovaly děti nebo domácí zvířata.
- Během provozu pec nepřemísťujte.
- Po použití pece uzavřete přívod na plynové lahvi.
- Pec neupravujte.
- Zapečetěné originální díly od výrobce nesmí uživatel upravovat.
- Při manipulaci s horkými součástmi vždy používejte grilovací rukavice.
- Neskladujte pec v interiéru, není-li plynová láhev odpojena. Pokud pec delší dobu nepoužíváte, odstraňte a uložte ji v původním obalu na suchém místě.

Poznámka: plynová láhev musí být vždy uložena venku na místě s dobrým větráním. Odpojená plynová láhev se nesmí uchovávat v budově, garáži nebo jiném uzavřeném prostoru! Plynové lahve je nutno skladovat vestoje venku na místě nepřístupném dětem.

- **POZOR:** Čištění a údržba se smí provádět pouze po úplném vychladnutí trouby a po odpojení plynové lahve.

- Nikdy nedovolte, aby se oděv či jiný hořlavý materiál příliš přiblížil nebo dostal do kontaktu s hořákem či jakýmkoli horkým povrchem, dokud spotřebič nevychladne. Materiál se může vznítit a způsobit vážné zranění.
- Při používání pece nenoste oděvy ze syntetických materiálů – některé z nich jsou vysoce hořlavé! Během provozu pece se vyhýbejte volným oděvům nebo rukávům.
- Vysokých teplot dosahuje i spodní část trouby. Nestavte pec na plastové stoly nebo jiné hořlavé povrchy, ubrusy apod.
- Pec není určena k použití na lodích, v obytných automobilech nebo karavanech.
- Pec vlastnoručně neupravujte – mohlo by dojít ke zranění osob nebo poškození výrobku.
- Neoprávněné úpravy pece mají rovněž za následek zánik záruky.
- V prostoru nad pecí se nesmí nacházet žádné předměty – stromy, střešní konstrukce aj.

### ZKOUŠKA TĚSNOSTI:

- **PŘED POUŽITÍM ZKONTROLUJTE VŠECHNY SPOJE NA SPOTŘEBIČI I PŘÍPOJKY VČETNĚ PLYNOVÝCH:** Přestože plynové přípojky spotřebiče byly před zabalením a přepravou otestovány na těsnost, je nutné provést kompletní zkoušku na místě instalace. Pokud kdykoli ucítíte plyn, okamžitě přestaňte pec používat a zkontrolujte celý systém, zda nedochází k úniku plynu. Připravte roztok z kapky tekutého prostředku na mytí nádobí a trochy vody. K nanášení roztoku na armatury budete potřebovat rozprašovač, štětec nebo hadřík. Naneste mýdlový roztok na všechny plynové armatury. V místech úniku se objeví mýdlové bubliny. Pokud dochází k úniku, okamžitě vypněte přívod plynu a utěsněte uvolněné prvky. Zkoušku těsnosti proveďte při každé výměně plynové nádrže nebo po delší době, kdy se trouba nepoužívala.
- Zkontrolujte, zda je ventil správně umístěn. Ujistěte se, že hadice není poškozená.

**DŮLEŽITÉ:** pokud nelze únik plynu zastavit, vypněte přívod plynu a kontaktujte zákaznický servis.

**VAROVÁNÍ:** NIKDY nezapínejte hořáky během kontroly těsnosti plynu.

**POZNÁMKA:** vzhledem k tomu, že některé zkušební roztoky včetně mýdlové vody mohou způsobit korozi, je třeba po dokončení zkoušky těsnosti všechny spoje opláchnout vodou.

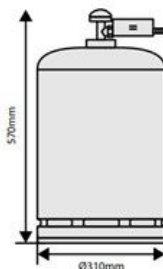
## Připojení plynové lahve:

- Přívod plynu nebo hadice musí splňovat platné požadavky, je nutno provádět pravidelné kontroly a v případě potřeby příslušenství vyměnit. Hadice musí splňovat požadavky normy EN16436. Regulátor musí splňovat požadavky normy EN16129.

**NEBEZPEČÍ:** Nepoužívejte nastavitelný regulátor tlaku (např. typ používaný u hořáků na plevel). Nebezpečí výbuchu nebo vznícení.

- Jmenovitý výkon (tlak plynu) je 28-37 mbar; v Německu, Rakousku a Švýcarsku 50 mbar.
- Opatřované nebo poškozené hadice je třeba vyměnit. Zkontrolujte, zda není hadice zmáčknutá, rozdělená nebo v kontaktu s pecí jinde než v místě připojení.
- V některých oblastech nemusí být hadice a regulátor dodávány spolu s pecí.
- Hadice pece by neměla přesáhnout 1,5 m.
- Připojte plynovou láhev k peci pomocí hadice a regulátoru. Matice řádně upevněte; nadměrně je ale nepřetahujte ani nepřetáčejte. Dávejte pozor, abyste nepoškodili šroubení regulátoru. Před otevřením plynové lahve se ujistěte, že jsou VŠECHNY ventily/tlačítka na troubě v poloze OFF.
- Hadice regulátoru musí být v dostatečné vzdálenosti od ostrých předmětů a zdrojů tepla.
- Před výměnou plynové lahve: než odpojíte hadici a regulátor od lahve (nikoli od samotné pece), ujistěte se, že je plyn vypnutý.
- Vyměňte ohebnou hadici podle platných národních směrnic.
- Nepoužívejte láhev na LPG, která přesahuje maximální šířku 310 mm a výšku 570 mm.

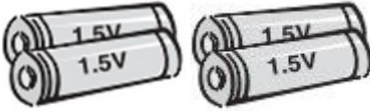
*Zkoušky těsnosti: Po nasazení a upevnění hadice i regulátoru podle návodu lze zapnout plyn. Poté postříkejte spoje směsí vody a mýdla; zkontrolujte, zda příslušenství všude těsní.*



**POZNÁMKA:** Ujistěte se, že je plynová láhev zcela odstíněna od pece.

## Odpojení plynové lahve:

- Při odpojování plynové lahve: Ujistěte se, že je vypínač pece v poloze OFF. Zkontrolujte, zda je ventil plynové lahve v uzavřené poloze. Odpojte regulátor od lahve a vyjměte jej. Dbejte, aby láhev byla od trouby vzdálena alespoň jeden metr, abyste předešli riziku vznícení.
- Požadavky/pravidla pro regulátor a hadici: Regulátor používaný spolu s vaší plynovou pecí musí být schválen CE a musí splňovat platné požadavky a předpisy.

**Baterie:**

- Baterie likvidujte zodpovědně; uchovávejte je mimo dosah dětí, abyste předešli spolknutí. **Pokud dítě spolkně baterii, okamžitě kontaktujte lékaře!**
- Nemíchejte staré baterie s novými. Při míchání hrozí přehřátí a vytečení baterie.
- Jednorázové baterie nekládejte do nabíječky.
- Baterie nerozebírejte, nemačkejte, nepropichujte ani nijak nepoškozujte. Nežádoucí zacházení může vést k prasklinám nebo netěsnostem.
- Pokud pec delší dobu nepoužíváte a v dohledné době neočekáváte změnu, vypněte pec a vyjměte baterie – prodloužíte tím jejich životnost.
- Použijte specifický typ baterií (5 × AA).
- Baterie správně vložte. Zkontrolujte, zda jsou póly (- a +) baterií otočeny správným směrem.
- Vybité baterie okamžitě vyjměte ze spotřebiče; bezpečně a správně je zlikvidujte podle předpisů. Nevyhazujte baterie do koše, odevzdejte je v nejbližším recyklačním středisku.

## TECHNICKÉ INFORMACE

Číslo modelu	Země příjemce	Celková dodávka tepla	Hořáky	Označení vstřikovače/ velikosti	Kategorie	Typy plynu
<b>Witt PICCOLO Rotante</b>	BE, CH, CY, CZ, ES, FR, GB, GR, IE, IT, LT, LU, LV, PT, SI,SK,TR, IL	5,2 kW	1	Φ 1,12 mm	I 3+ (28-30/37)	Butan G30 28-30 mbar Propan G31 37 mbar
	BE, BG, CY, CZ, DK, EE, FI, GB, HR, HU, IT, LT, LU, SI, MT, NL, NO, RO, SE, KE, IS	5,2 kW	1	Φ 1,12 mm	I 3B/P (30)	Butan G30 nebo propan G31 30 mbar
	AT, CH, DE, SK	5,2 kW	1	Φ 1,06 mm	I 3P (50)	Propan G31 50 mbar
	PL	5,2 kW	1	Φ 1,12 mm	I 3P (37)	Butan G30 nebo propan G31 37 mbar

Podrobnosti o produktu	Witt PICCOLO Rotante
Rozměry	650 × 535 × 440
Hmotnost NW/GW	19 / 26

PIN: 1336DO050



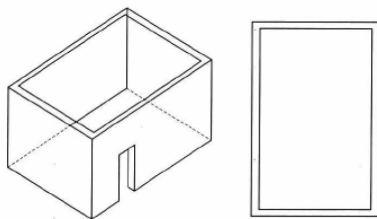
## PRŮVODCE VENKOVNÍ INSTALACÍ

Pec je určena výhradně k provozování ve venkovních prostorách na dobře větraném místě, mimo dosah hořlavých materiálů.

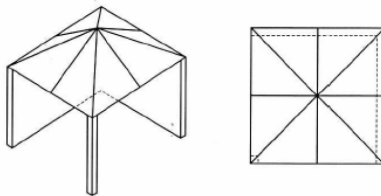
Pec NIKDY nepoužívejte v interiéru, garáži, kůlně, verandě nebo jiných uzavřených prostorách. Pec není určena k provozování na lodích, v obytných automobilech, karavanech apod. Nesmí být umístěna v blízkosti resp. pod jakýmkoli povrchem, který je hořlavý nebo citlivý na teplo. Během provozu neblokujte přívod vzduchu a spalování v okolí pece. Dostatečné větrání je nezbytné jak pro bezpečný provoz a optimální účinnost pece, tak pro uživatele a ostatní osoby v okolí. Pec NIKDY nepoužívejte v uzavřených, krytých prostorách.

Jak je znázorněno na obrázku níže, pec je nutno instalovat venku na místě, kde je otevřená alespoň ze dvou stran nebo shora. Zásadní je, aby se plyn v případě úniku mohl volně rozptýlit – jinak hrozí nebezpečí výbuchu.

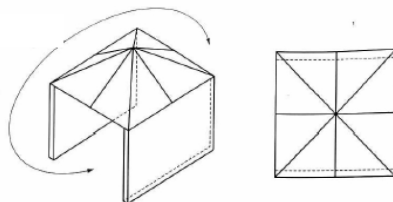
**Příklad 1:**  
**Větrání shora a otevřenými dvířky**



**Příklad 2:**  
**Ze dvou stran: Zpředu a zprava**

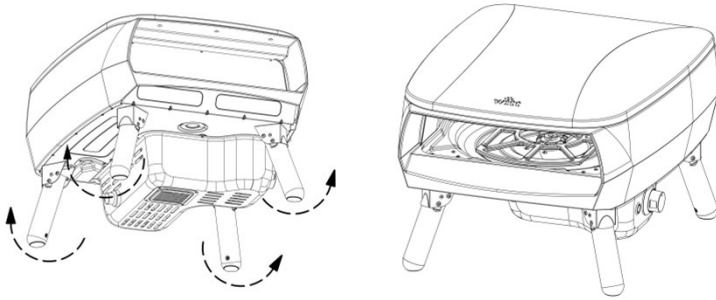


**Příklad 3:**  
**Ze dvou stran: Zpředu a zezadu**



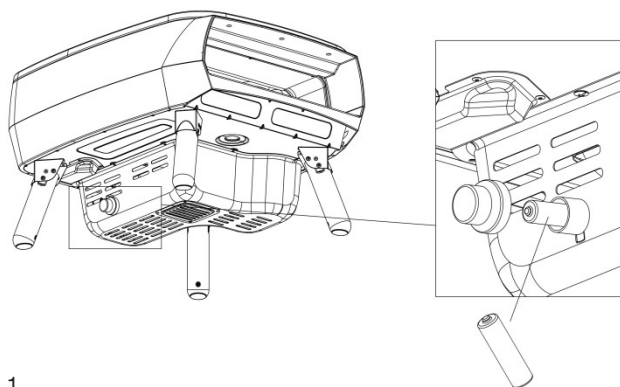
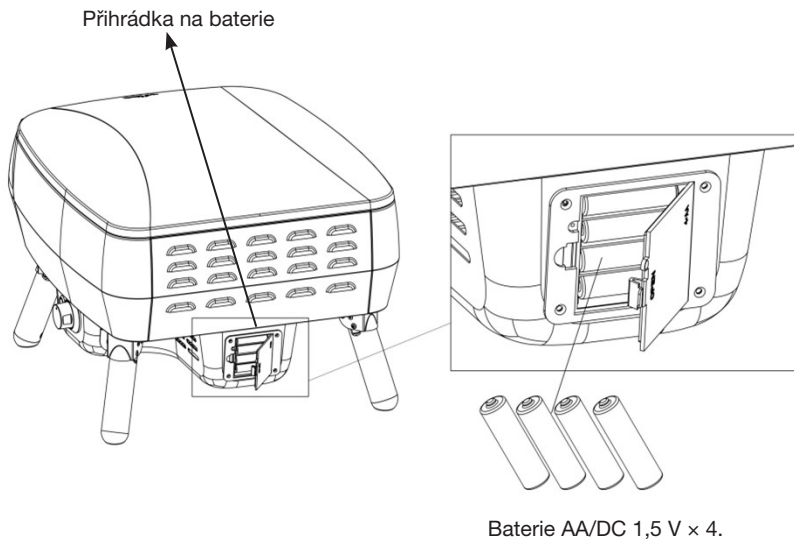
## Montáž:

1. Nohy úplně rozložte a postavte pec (pozor, váží až 19 kg).

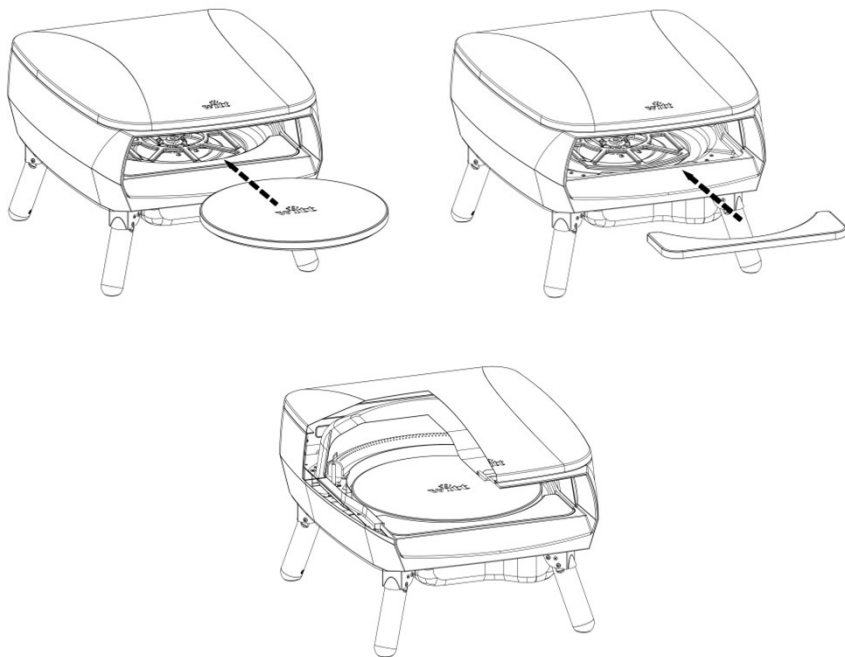


2. Odšroubujte kryt elektronického zapalování a vložte baterii AA. Všimněte si značek (+) a (-) v prostoru pro baterii. Přišroubujte kryt zpět na místo. Otevřete přihrádku na baterie. Vložte čtyři nové baterie AA podle značek (+) a (-).

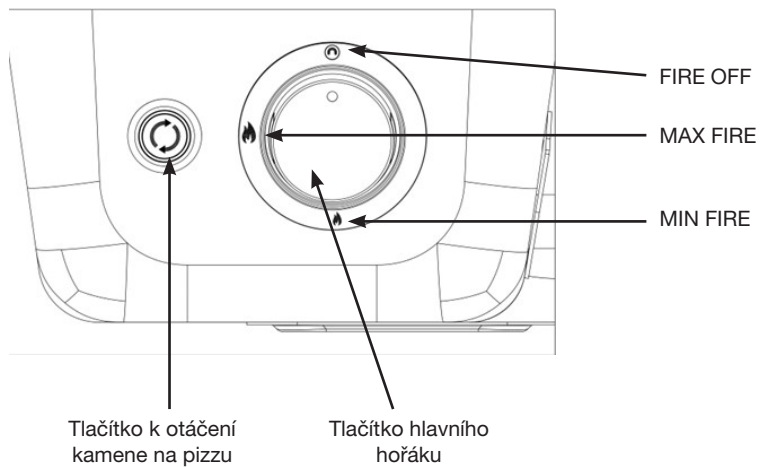
Zavřete přihrádku na baterie.



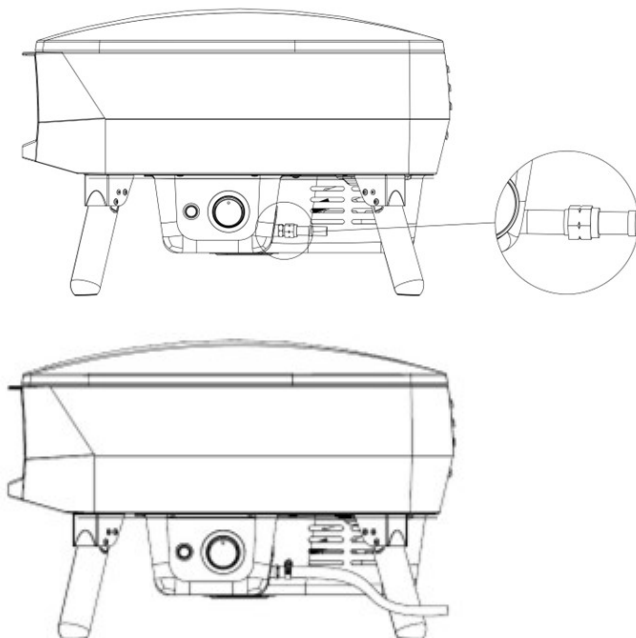
3. Odstraňte obal z kamene na pizzu a vložte kámen do příslušné přihrádky v peci.



4. Před připojením plynové hadice se ujistěte, že jsou tlačítka hořáků v poloze OFF.



5. Připojte plynovou hadici k peci.

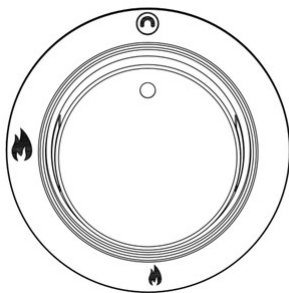


## POUŽÍVÁNÍ PECE / NÁVOD K ZAPÁLENÍ

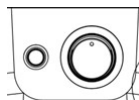
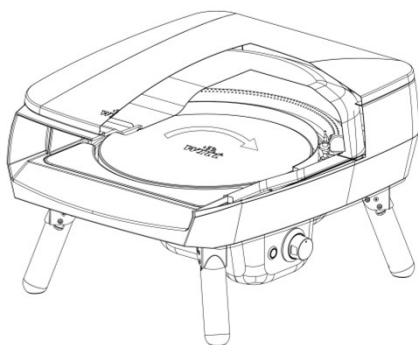
Po správném připojení regulátoru lze zapnout plyn.



### Witt PICCOLO Rotante

Zapálení hořáku: stiskněte a pomalu otáčejte tlačítkem ON/OFF proti směru hodinových ručiček, dokud neuslyšíte cvaknutí a hořák se nezapálí. Úkon trvá asi 8–10 sekund, než plyn pronikne potrubím hořáku do pece. Po zažehnutí podržte tlačítko ON/OFF po dobu 10 sekund a poté jej uvolněte. Nastavte hořák podle potřeby. Pokud se hořák nezapne, nechte tlačítko v poloze OFF, počkejte pět minut a poté pokus zopakujte.



Stisknutím tlačítka nastavte otáčení kamene.



Symbol	Popis
	Hlavní hořák
	Volná rotace

## ČIŠTĚNÍ A ÚDRŽBA

### Vnější povrchy:

- Před čištěním zevnějšku se ujistěte, že pec vychladla a je bezpečná na dotek.
- Lakované díly i plastové povrchy lze čistit jemnou mýdlovou vodou a čistým hadříkem (nepoužívejte přípravky na drhnutí nebo odstraňování mastnoty ani drátěnku).
- Doporučujeme nejprve vyzkoušet čisticí prostředek na menší ploše pece. NIKDY nepoužívejte ředidla na barvy nebo podobná rozpouštědla. NIKDY nelijte studenou vodu na horké povrchy.
- Otřete plochy hadříkem.

### Vnitřní prostor:

- Před čištěním zevnitř se ujistěte, že pec vychladla a je bezpečná na dotek. Prvně odstraňte kulatý kámen na pizzu a přední kámen
- Chcete-li vyčistit odolnou špínu nebo mastnotu, použijte trochu jedlé sody na mokré houbě. Nepoužívejte drátěnky.

### Kámen na pizzu:

- Kámen je určen výhradně k použití v peci na pizzu Witt, nikoli na otevřeném ohni.
- Kámen je křehký a při nárazu nebo pádu se může rozbít.
- Kámen se během provozu pece velmi zahřívá a po použití zůstává dlouho horký.
- Chcete-li kámen vyčistit, zahřejte troubu asi na 30 minut; zbytky kamene můžete po vychladnutí odstranit například kartáčem na pec Witt.
- Pokud pec po delší dobu nepoužíváte, uchovejte kámen na pizzu i přední kámen v suchu – nesnášejí vlhkost.

## ŘEŠENÍ PROBLÉMU

### Hořák se nezapálí:

Plynový ventil není zapnutý.	Zapněte ventil.
Plynová láhev je prázdná.	Vyměňte plynovou láhev za novou.
Zapalovací tlačítko nefunguje.	Zkontrolujte baterii.
Při zapalování nedochází k jiskření.	Kontaktujte servisní středisko

### Plamen hořáku je nepravidelný:

Plamen hoří uvnitř hořáku (syčivý zvuk).	Vypněte hořák a nechte ho vychladnout. Poté zkuste znovu zapálit.
Regulátor je vadný.	Kontaktujte servisní středisko
Vstříkovač je částečně zablokovaný.	Vyčistěte vstříkovač zubním kartáčkem. Neodstraňujte nečistotu pomocí vrtáku, ocelového drátu nebo lanka. Kontaktujte servisní středisko

### Únik plynu mezi spoji:

Spoje jsou uvolněné.	Utáhněte uvolněné spoje (ne však příliš těsně). Provedte tlakovou zkoušku těsnosti pomocí mýdlové vody (viz pokyny „Zkouška těsnosti“ na str. 4.
Hadice je poškozená.	Vyměňte hadici. (Kontaktní servisní středisko).
Plynový ventil je vadný.	Kontaktujte servisní středisko
Spoje/připojky jsou poškozené.	Kontaktujte servisní středisko

### Kámen na pizzu se neotáčí:

Kámen na pizzu se neotáčí.	Zkontrolujte, zda je kabel od adaptéru správně připojen a pec zapnutá. Zkontrolujte, zda jsou baterie správně vloženy do přihrádky. Zkontrolujte, zda jsou baterie plně nabitě, a v případě potřeby je vyměňte. Aby přední kámen nebránil v rotaci, je třeba ho posunout dopředu k otvoru pece.
Kámen na pizzu je poškozený.	Kontaktujte servisní středisko
Tlačítko/kontakt nebo kabely jsou poškozené.	Kontaktujte servisní středisko



## ZÁRUKA A SERVIS

### DŮLEŽITÉ

Záruka se vztahuje na materiál a mzdy. Pokud kontaktujete servisní oddělení, uveďte název a sériové číslo produktu a vyplňte servisní formulář na adrese <https://service.witt.dk/service/da/other/service.aspx>.

<https://service.witt.dk/service/da/witt/pizzaservice.aspx>.

Tyto informace najdete na typové značce. Zapište si informace uvedené v těchto pokynech, abyste je měli po ruce. Servisnímu technikovi tím usnadníte hledání správných náhradních dílů.

Jestliže doručíte svou pec do autorizovaného servisního střediska Witt, opravíme vám ji během záruční doby, viz níže uvedené podmínky.

### ZÁRUKA

Dva roky

### ZÁRUKA SE NEVZTAHUJE NA:

1. Závady a poškození, které nejsou způsobeny výrobními nebo materiálovými problémy
2. Běžné, přiměřené opotřebení (např. změnu barvy roštu/desek vlivem tepla).
3. Poškození výrobku hmyzem, plevelem aj.
4. Pokud jsou použity neoriginální náhradní díly.
5. Jestliže nebyly dodrženy pokyny uvedené v návodu k použití.
6. Pokud produkt nebyl nastaven/smontován podle pokynů v návodu.
7. Pokud produkt instalovali nebo opravovali neodborníci.
8. Rez a špína

### POŠKOZENÍ PŘI PŘEPRAVĚ

Pokud dojde k poškození produktu během přepravy a tato skutečnost je zjištěna až při doručení produktu od prodejce k zákazníkovi, jedná se výhradně o záležitost mezi zákazníkem a prodejcem. V případech, kdy si zákazníci přepravují produkt sami, dodavatel nenese odpovědnost za případné škody vzniklé během přepravy. Jakékoli poškození způsobené během přepravy je nutno nahlásit okamžitě, nejpozději do 24 hodin po doručení produktu. V opačném případě bude reklamáce zákazníka zamítnuta.

## **KOMERČNÍ NÁKUPY**

Komerční nákupy jsou všechny případy, kdy se zařízení používá mimo soukromé domácnosti (v restauracích, kavárnách, jídelnách aj.) ke komerčním účelům, nebo slouží k pronájmu či jinému střídavému provozování více uživateli.

Na komerční nákupy se nevztahuje žádná záruka – tento produkt je určen pouze k běžnému použití v domácnosti.

### **Všechny žádosti o servis:**

E-MAIL: [service@wittpizza.dk](mailto:service@wittpizza.dk)

Více na: [www.wittpizza.com](http://www.wittpizza.com)

### **Prohlášení o shodě ES:**

Witt Hvidevarer A/S tímto potvrzuje, že následující příslušenství splňuje všechny trvalé a základní požadavky podle směrnice EU 2014/53. 1935/2004. Witt Hvidevarer A/S Gødstrup Søvej 9, DK-7400 Dánsko. Witt US, LLC PO BOX: 1044, 800 State Route 11, Champlain, NY 12919, USA, Witt UK & Ireland Ltd. 4 Tannery House, Tannery Lane, Send, Working, Surrey, GU23 7EF. [www.witt.dk](http://www.witt.dk)

## OBSAH

BEZPEČNOSTNÉ POKYNY .....	84
<i>Skúška tesnosti</i> .....	85
<i>Pripojenie plynovej fľaše</i> .....	86
<i>Odpojenie plynovej fľaše</i> .....	86
<i>Batérie</i> .....	87
TECHNICKÉ INFORMÁCIE .....	88
NÁVOD NA INŠTALÁCIU V EXTERIÉRI .....	89
<i>Montáž:</i> .....	90
POUŽÍVANIE PECE NA PIZZU/NÁVOD NA ZAPÁLENIE .....	94
ČISTENIE A ÚDRŽBA.....	95
RIEŠENIE PROBLÉMOV .....	96
ZÁRUKA A SERVIS.....	97

## BEZPEČNOSTNÉ POKYNY

Aby ste znížili riziko požiaru alebo iného poškodenia, pred použitím tohto spotrebiča si pozorne a úplne prečítajte túto bezpečnostnú príručku.



- **NEPOUŽÍVAJTE** TENTO SPOTREBIČ, KÝM SI NEPREČÍTATE NÁVOD NA POUŽITIE
- **NEUMIESTŇUJTE** PREDMETY NA TENTO SPOTREBIČ ANI K NEMU
- **NEUCHOVÁVAJTE** V BLÍZKOSTI TOHTO SPOTREBIČA CHEMIKÁLIE, HORĽAVÉ MATERIÁLY ANI SPREJE
- **NEPOUŽÍVAJTE TENTO SPOTREBIČ V INTERIÉRI**
- **NEDOVOLTE, ABY SA V SPOTREBIČI MEDZI JEDNOTLIVÝMI OBDOBAMI POUŽÍVANIA HROMADILI TUKY/OLEJE, POPOL ALEBO NESPÁLENÉ PALIVO.**

- **VAROVANIE:** časti pece na pizzu môžu byť veľmi horúce!
- Len na používanie v exteriéri. Nikdy nepoužívajte pec na pizzu v uzavretých, krytých priestoroch.
- Vždy udržiujte deti a domáce zvieratá mimo dosahu spotrebiča.
- Počas používania spotrebiča s ním nehýbte.
- Po použití spotrebiča vypnite prívod plynu na plynovej fľaši.
- Spotrebič neupravujte.
- Zapečatené originálne diely od výrobcu nesmie používateľ upravovať.
- Pri manipulácii s horúcimi komponentmi vždy používajte grilovacie rukavice.
- Spotrebič sa smie skladovať v interiéri, len ak je odpojená plynová fľaša. Ak sa spotrebič dlhší čas nepoužíva, mal by sa uskladniť v pôvodnom obale na suchom mieste.

Poznámka: plynová fľaša sa musí vždy skladovať vonku na mieste s dobrou ventiláciou. Odpojená plynová fľaša sa nesmie skladovať v budove, garáži alebo inom uzavretom priestore! Plynové fľaše sa musia skladovať v exteriéri na mieste neprístupnom deťom.

- **UPOZORNENIE:** Čistenie a údržba sa musia vykonávať až po úplnom vychladnutí rúry a po odpojení plynovej fľaše.

- Nikdy nedovoľte, aby sa odev alebo iný horľavý materiál dostal do kontaktu s horákom alebo iným horúcim povrchom ani sa k nim nedostal príliš blízko, kým spotrebič nevychladne. Materiál sa môže vznietiť a spôsobiť vážne zranenia.
- Niektoré syntetické materiály sú vysoko horľavé a pri používaní rúry by sa nemali nosiť. Pri používaní rúry by ste nemali nosiť voľné oblečenie alebo rukávy.
- Spodná časť rúry tiež dosahuje vysoké teploty. Pec na pizzu neumiestňujte na plastové stoly ani iné horľavé povrchy, obrusy a podobne.
- Pec na pizzu nie je určená na používanie na lodiach, v obytných prívosoch alebo karavanoch.
- Pec na pizzu neupravujte, pretože to môže spôsobiť zranenie osôb alebo poškodenie výrobku.
- Nepovolené úpravy pece na pizzu budú mať za následok aj zánik záruky.
- Nad pecou na pizzu nesmie nič presahovať, napríklad stromy alebo strešné konštrukcie.

### **SKÚŠKA TESNOSTI:**

- **PRED POUŽITÍM SKONTROLUJTE VŠETKY PLYNOVÉ PRÍPOJKY, SPOJENIA A SPOJE NA SPOTREBIČI:** Aj keď boli plynové prípojky spotrebiča pred zabalením a odoslaním testované na tesnosť, na mieste inštalácie je potrebné vykonať kompletný test. Ak kedykoľvek zacítite plyn, okamžite prestaňte pec na pizzu používať a skontrolujte celý systém, či nedochádza k úniku. Pripravte roztok z kvapky tekutého prostriedku na umývanie riadu a trochy vody. Na nanosenie roztoku na príslušenstvo budete potrebovať fľašu s rozprašovačom, štetec alebo handričku. Na všetky plynové armatúry naneste mydlový roztok. V miestach úniku sa objavia mydlové bubliny. Ak dôjde k úniku, okamžite vypnite prívod plynu a utiahnite netesné prvky. Test tesnosti vykonajte pri každej výmene plynovej nádoby alebo po dlhšom čase, keď sa rúra nepoužívala.
- Skontrolujte, či je ventil správne umiestnený. Uistite sa, že hadica nie je poškodená.

**DÔLEŽITÉ:** Ak sa únik plynu nedá zastaviť, vypnite prívod plynu a kontaktujte zákaznický servis.

**VAROVANIE:** Počas kontroly úniku plynu NIKDY nezapínajte horáky.

**POZNÁMKA:** keďže niektoré testovacie roztoky vrátane mydlovej vody môžu spôsobiť koróziu, všetky spoje sa musia po dokončení testu tesnosti opláchnuť vodou.

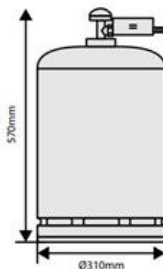
## Pripojenie plynovej fľaše:

- Prívod plynu alebo hadica musia spĺňať platné požiadavky a musia sa pravidelne kontrolovať a podľa potreby vymieňať. Hadica musí spĺňať požiadavky normy EN16436. Regulátor musí spĺňať požiadavky normy EN16129.

**NEBEZPEČENSTVO:** Nepoužívajte nastaviteľný regulátor tlaku (napríklad typ používaný pre horáky na burinu). Riziko výbuchu alebo vznietenia.

- Menovitý výkon (tlak plynu) sa pohybuje v rozmedzí 28 – 37 mbar a 50 mbar v Nemecku, Rakúsku a vo Švajčiarsku.
- Opatrované alebo poškodené hadice sa musia vymeniť. Skontrolujte, či hadica nie je stlačená, roztrhnutá alebo v kontakte s pecou na pizzu, okrem miesta, kde je pripojená.
- V niektorých regiónoch sa hadica a regulátor nemusia dodávať spolu so spotrebičom.
- Hadica pre spotrebič by nemala presiahnuť 1,5 m.
- Pripojte plynovú fľašu k rúre pomocou hadice a regulátora. Matice opatrne dotiahnite, ale príliš ich neutiahnite ani neprekrúťte. Dávajte pozor, aby ste nepoškodili príslušenstvo regulátora. Pred otvorením plynovej fľaše sa uistite, že sú VŠETKY ventily/tlačidlá na rúre v polohe Vypnuté.
- Hadica regulátora sa musí udržiavať v dostatočnej vzdialenosti od ostrých predmetov a zdrojov tepla.
- Pred výmenou plynovej fľaše: pred odpojením hadice a regulátora od fľaše (nie od samotnej rúry) sa uistite, že je plyn vypnutý.
- Vymeňte ohybnú hadicu podľa platných národných smerníc.
- Používajte fľašu s LPG, ktorá nepresahuje maximálnu šírku 310 mm a výšku 570 mm.

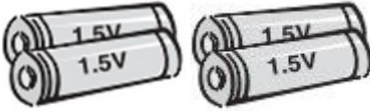
*Skúška tesnosti: Po nasadení a upevnení hadice a regulátora podľa pokynov môžete zapnúť plyn. Potom spoje postriekajte zmesou vody a mydla a skontrolujte, či nedochádza k netesnostiam.*



**POZNÁMKA:** Uistite sa, že plynová fľaša je úplne zatienená od rúry.

## Odpojenie plynovej fľaše:

- Pri odpájaní plynovej fľaše: Skontrolujte, či je tlačidlo zapnutia/vypnutia rúry nastavené do polohy OFF (Vyp.). Skontrolujte, či je ventil fľaše v zatvorenej polohe. Odpojte zostavu regulátora od plynovej fľaše a odnímite ju. Uistite sa, že plynová fľaša je od rúry vzdialená aspoň jeden meter, aby ste zabránili riziku vznietenia.
- Požiadavky/pravidlá pre regulátor a hadicu: regulátor používaný s plynovým horákom rúry musí byť schválený CE a musí spĺňať platné požiadavky a predpisy.

**Batérie:**

- Batérie likvidujte zodpovedne a uchovávajte ich mimo dosahu detí, aby ich neprehltli. **Ak dieťa prehltnie batériu, okamžite vyhľadajte lekára!**
- Nemiešajte staré batérie s novými. Môže to spôsobiť prehriatie a vytečenie batérie.
- Do nabíjačky sa nesmú umiestňovať nenabíjateľné batérie.
- Batérie nerozoberajte, nestláčajte, neprepichujte ani nijako nepoškodzujte. Môže to mať za následok praskliny alebo netesnosti.
- Udržujte životnosť batérií vypnutím spotrebiča a odpojením batérií, keď sa spotrebič dlhší čas nepoužíva alebo sa neočakáva, že sa bude používať.
- Používajte konkrétny typ batérií (5 batérií AA).
- Batérie vložte správne. Skontrolujte, či sú póly (- a +) batérií otočené správnym smerom.
- Vybité batérie okamžite vyberte zo spotrebiča a bezpečne a správne ich zlikvidujte v súlade s predpismi. Batérie nevyhadzujte do koša, odovzdajte ich v najbližšom recyklačnom centre.

## TECHNICKÉ INFORMÁCIE

Číslo modelu	Krajina príjemcu	Celková dodávka tepla	Horáky	Vstrekovač/ Označenie veľkosti	Kategórie	Typy plynov
<b>Witt PICCOLO Rotante</b>	BE, CH, CY, CZ, ES, FR, GB, GR, IE, IT, LT, LU, LV, PT, SI, SK, TR, IL	5,2 kW	1	Φ1,12 mm	I 3+ (28 ~ 30/37)	G30 Bután 28 ~ 30 mbar G31 Propán 37 mbar
	BE, BG, CY, CZ, DK, EE, FI, GB, HR, HU, IT, LT, LU, SI, MT, NL, NO, RO, SE, KE, IS	5,2 kW	1	Φ1,12 mm	I 3B/P(30)	G30 Bután alebo G31 Propán 30 mbar
	AT, CH, DE, SK	5,2 kW	1	Φ1,06 mm	I 3P(50)	G31 Propán 50 mbar
	PL	5,2 kW	1	Φ1,12 mm	I 3P(37)	G30 Bután alebo G31 Propán 37 mbar

Detaily výrobku	Witt PICCOLO Rotante
Rozmery	650 × 535 × 440
Hmotnosť čistá/hrubá	19/26

PIN KÓD: 1336DO050



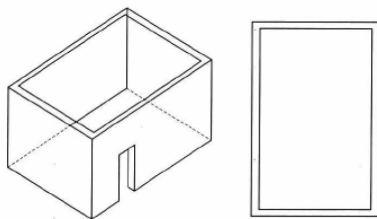
## NÁVOD NA INŠTALÁCIU V EXTERIÉRI

Pec na pizzu je určená výlučne na používanie v exteriéri a môže sa používať len na dobre vetranom mieste, mimo horľavých materiálov.

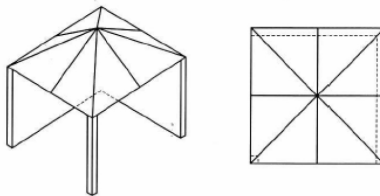
NIKDY nepoužívajte pec na pizzu v interiéri, v garážach, na verandách, v prístreškoch alebo iných uzavretých priestoroch. Pec na pizzu nie je určená na používanie na lodiach, v obytných automobiloch alebo karavanoch a nesmie sa umiestniť v blízkosti alebo pod akýmkoľvek povrchom, ktorý môže horieť alebo je citlivý na teplo. Neblokujte prívod vzduchu a spaľovanie v okolí pece na pizzu, keď sa používa. Pre bezpečnú a správnu funkciu a účinnosť pece na pizzu je potrebná primeraná ventilácia. Je to tiež bezpečnejšia pre používateľa a ostatných v oblasti, kde sa pec na pizzu používa. Pec na pizzu sa NIKDY nesmie používať v uzavretých, krytých priestoroch.

Ako je znázornené nižšie, pec na pizzu musí byť nainštalovaná v exteriéri na mieste, ktoré je otvorené aspoň z dvoch strán alebo zhora. Dôležité je, že pri prípadnom úniku plynu existuje možnosť, že sa plyn dostane von a preč, aby nedošlo k výbuchu.

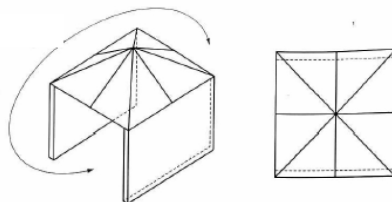
**Príklad 1:**  
**Vetranie cez otvorenú strechu a otvorené dvere**



**Príklad 2:**  
**Otvorené na oboch stranách: vpredu a vpravo**

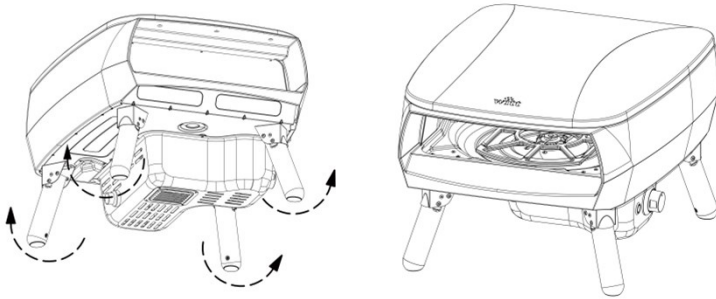


**Príklad 3:**  
**Otvorené na oboch stranách: vpredu a vzadu**



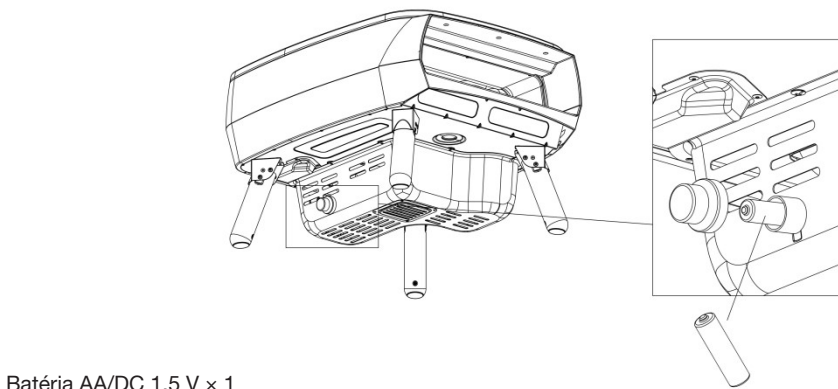
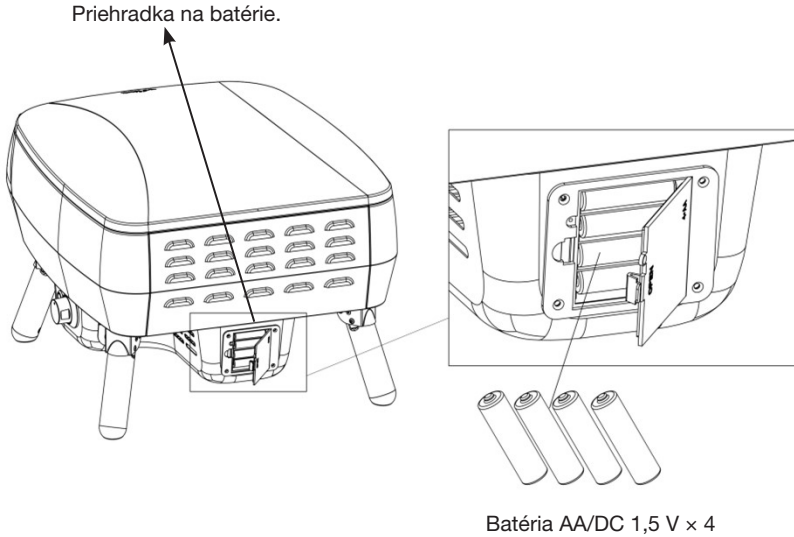
## Montáž:

1. Úplně rozložte nohy a potom pec na pizzu postavte (upozorňujeme, že váží až 19 kg).

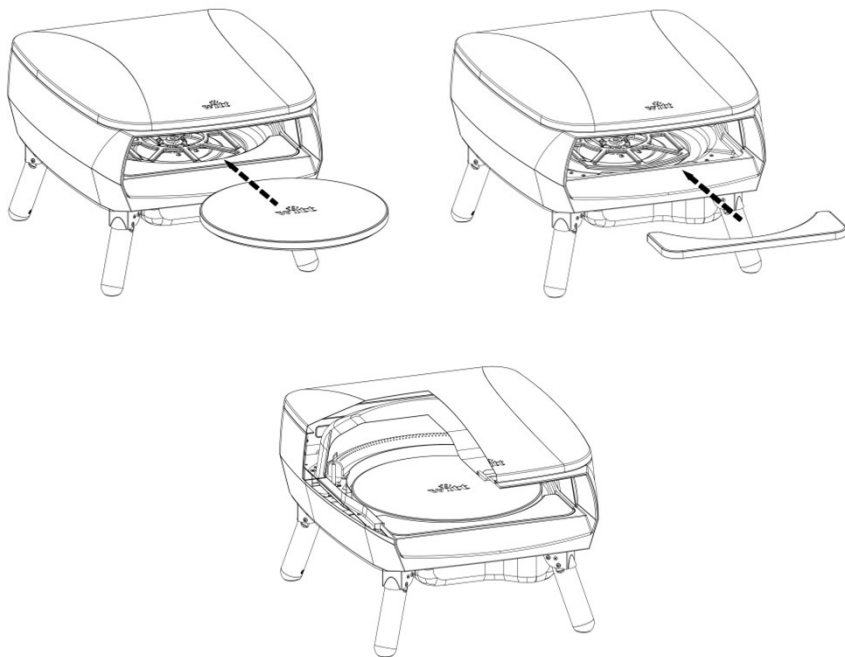


2. Odskrutkujte kryt elektronického zapalovania a vložte batériu AA. Všimnite si označenie (+) a (-) v priestore pre batérie. Naskrutkujte kryt späť na miesto. Otvorte priehradku na batérie. Vložte štyri nové batérie AA a umiestnite ich tak, aby boli póly (+) a (-) v správnom smere v súlade s údajmi.

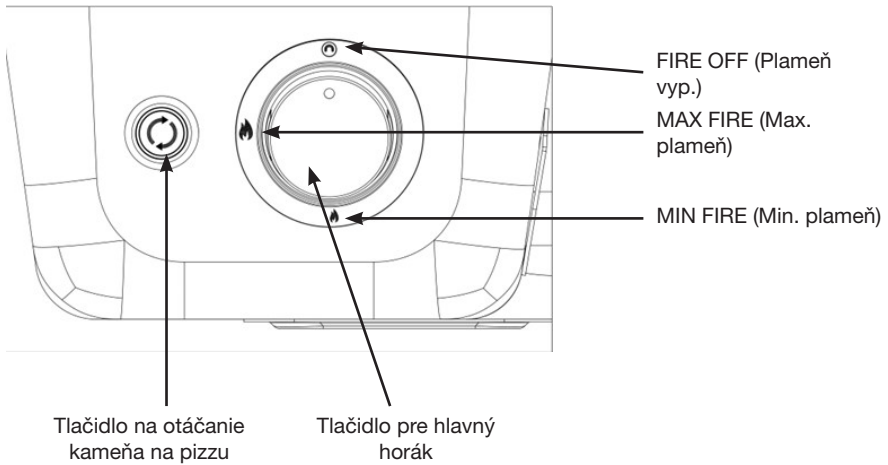
Zatvorte priehradku na batérie.



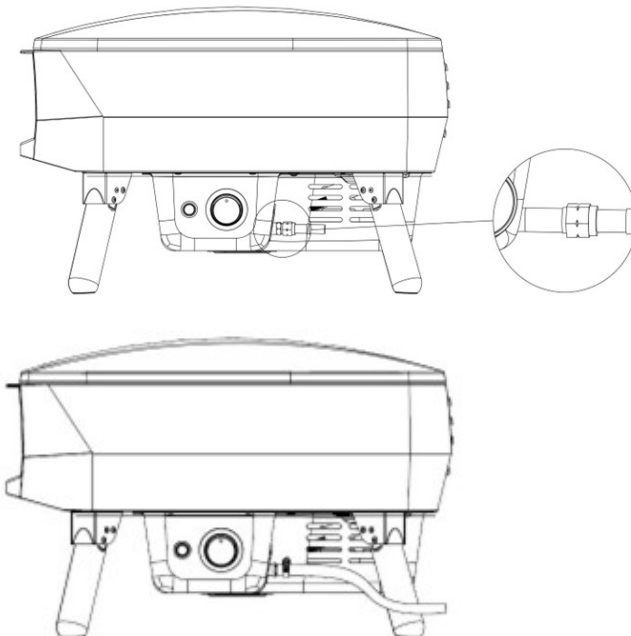
3. Snímte obal z kameňa na pizzu a nasadte ho na držiak kameňa na pizzu.



4. Pred pripojením plynovej hadice sa uistite, že sú tlačidlá horáka v polohe OFF (Vyp.).



5. Pripojte plynovú hadicu k peci na pizzu.

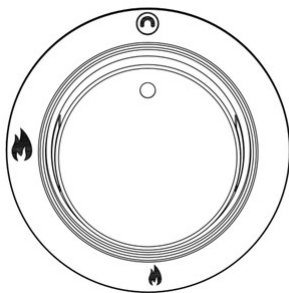


## POUŽÍVANIE PECE NA PIZZU/NÁVOD NA ZAPÁLENIE

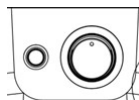
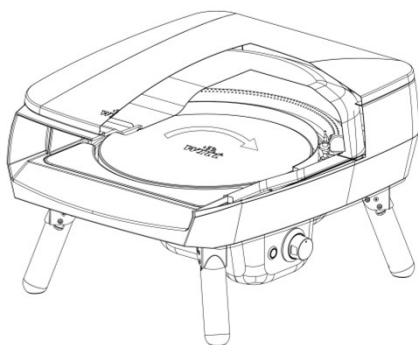
Keď je regulátor správne pripojený, možno zapnúť plyn.



### Witt PICCOLO Rotante

Zapálenie horáka: stlačte a súčasne pomaly otáčajte tlačidlom zapnutia/vypnutia proti smeru hodinových ručičiek, kým nebudete počuť cvaknutie a horák sa nezapáli. Trvá to približne 8 až 10 sekúnd, pretože plyn musí prejsť potrubím horáka do rúry. Po zapálení podržte tlačidlo zapnutia/vypnutia ďalších 10 sekúnd a potom tlačidlo uvoľnite. Horák nastavte podľa potreby. Ak sa horák nezapne, nechajte tlačidlo v polohe OFF (Vyp.) a pred ďalším pokusom počkajte päť minút.



Stlačením tlačidla nastavte otáčanie kameňa na pizzu.



Symbol	Opis
	Hlavný horák
	Otočná rotácia

## ČISTENIE A ÚDRŽBA

### Vonkajšok:

- Pred čistením vonkajšej časti sa uistite, že pec na pizzu vychladla a je bezpečná na dotyk.
- Lakované diely aj plastové povrchy možno čistiť jemnou mydlovou vodou a čistou handričkou (nepoužívajte prostriedky na odstraňovanie mastnoty alebo drhnutie).
- Odporúčame najprv otestovať prací prostriedok na menšej ploche spotrebiča. NIKDY nepoužívajte riedidlá na farby alebo podobné rozpúšťadlá a NIKDY nelejte studenú vodu na teplé povrchy.
- Utrite handričkou.

### Vnútro:

- Pred čistením vnútra sa uistite, že pec na pizzu vychladla a je bezpečná na dotyk.
- Pred čistením vyberte okrúhly kameň na pizzu a predný kameň
- Ak chcete vyčistiť odolnú špinu alebo mastnotu, použite trochu jedlej sódy na mokrej špongii. Nepoužívajte čistiace prostriedky.

### Kameň na pizzu:

- Kameň na pizzu je určený výlučne na použitie v peci na pizzu Witt, nie je určený na použitie na otvorenom ohni.
- Kameň na pizzu je krehký a pri náraze alebo páde sa môže zlomiť.
- Kameň na pizzu sa počas používania veľmi zahrieva a po použití zostáva dlho teplý.
- Ak chcete kameň na pizzu vyčistiť, zahrievajte rúru približne 30 minút a po vychladnutí môžete zvyšky z kameňa na pizzu odstrániť napríklad pomocou kefy na pizzu Witt.
- Kameň na pizzu a predný kameň sa musia medzi použitiami skladovať v suchu, pretože neznášajú vlhkosť.

## RIEŠENIE PROBLÉMOV

### Horák sa nezapáli:

Plynový ventil nie je otvorený.	Otvorte ventil.
Plynová fľaša je prázdna.	Vymeňte plynovú fľašu za novú.
Nefunguje zapalovanie.	Skontrolujte batériu.
Pri zapalovaní nedochádza k iskreniu.	Kontaktujte servisné stredisko

### Plameň horáka je nepravidelný:

Plameň horí vo vnútri horáka (šepotavý zvuk).	Vypnite horák a nechajte ho vychladnúť. Potom sa pokúste zapáliť ešte raz.
Regulátor je chybný.	Kontaktujte servisné stredisko
Vstrekovač je čiastočne zablokovaný.	Vstrekovač vyčistite zubnou kefkou. Nevítajte a nepoužívajte drôt/ocelový drôt na odstránenie upchatí. Kontaktujte servisné stredisko

### Únik plynu medzi spojmi:

Spojnia sú uvoľnené.	Utiahnite uvoľnené spoje (príliš ich neutiahnite) a vykonajte tlakovú skúšku tesnosti pomocou mydlovej vody. (pozri pokyny „Skúška tesnosti“ na str. 4.
Hadica je poškodená.	Vymeňte hadicu. (Kontaktujte servisné stredisko.)
Plynový ventil je chybný.	Kontaktujte servisné stredisko
Spojnia/spoje sú poškodené.	Kontaktujte servisné stredisko

### Kameň na pizzu sa neotáča:

Kameň na pizzu sa neotáča.	Skontrolujte, či je kábel od napájacieho adaptéra správne pripojený a či je zapnuté napájanie. Skontrolujte, či sú batérie správne vložené do priestoru na batérie. Skontrolujte, či sú batérie úplne nabité a v prípade potreby ich vymeňte. Aby predný kameň nebránil otáčaniu, musí sa posunúť dopredu k otvoru rúry.
Kameň na pizzu je poškodený.	Kontaktujte servisné stredisko
Tlačidlo/kontakt alebo káble sú poškodené.	Kontaktujte servisné stredisko



## ZÁRUKA A SERVIS

### DÔLEŽITÉ

Záruka zahŕňa materiál a mzdy. Pri kontaktovaní servisného oddelenia uveďte názov, sériové číslo produktu a vyplňte servisný formulár na adrese <https://service.witt.dk/service/da/witt/pizzaservice.aspx>.

Tieto informácie nájdete na typovom štítku. Zapište si informácie v tomto návode, aby ste ich mali poruke. To uľahčuje servisnému technikovi nájdenie správnych náhradných dielov.

Počas záručnej doby bude vaša pec na pizzu opravená v autorizovanom servisnom stredisku Witt za predpokladu, že vaša pec na pizzu bude doručená do servisného strediska a bude z neho vyzdvihnutá, pozri nižšie uvedené podmienky.

### ZÁRUKA

Dva roky

ZÁRUKA SA NEVZŤAHUJE NA:

1. Poruchy a poškodenia, ktoré nie sú spôsobené výrobnými alebo materiálovými problémami
2. Bežné, primerané opotrebovanie (napr. zmena farby roštu/ploch vplyvom tepla).
3. Poškodenie výrobku spôsobené škodcami.
4. Ak sa použijú neoriginálne náhradné diely.
5. Ak neboli dodržané pokyny uvedené v návode na použitie.
6. Ak zariadenie nebolo nastavené/zmontované podľa pokynov v návode na použitie
7. Ak výrobok inštalovali alebo opravovali neprofesionáli.
8. Hrdza a zmatnenie.

### POŠKODENIE PRI PREPRAVE

Ak sa výrobok počas prepravy poškodí a zistí sa to až pri doručení výrobku zákazníkovi, je to výlučne záležitosť zákazníka a maloobchodníka. V prípadoch, keď si zákazník prepravuje výrobok sám, dodávateľ nezodpovedá za prípadné poškodenie počas prepravy. Akékoľvek poškodenie spôsobené počas prepravy je potrebné nahlásiť okamžite, najneskôr do 24 hodín po doručení výrobku. V opačnom prípade bude reklamácia zákazníka zamietnutá.

## **KOMERČNÉ NÁKUPY**

Komerčné nákupy sú všetky nákupy zariadení, ktoré nie sú určené na používanie v súkromných domácnostiach, ale sú určené na komerčné účely (v reštauráciách, kaviarňach, jedálňach atď.) alebo na prenájom či iné striedavé používanie viacerými používateľmi.

Na komerčné nákupy sa neposkytuje žiadna záruka, pretože tento výrobok je určený len na bežné používanie v domácnosti.

### **Všetky žiadosti o servis:**

E-MAIL: [service@wittpizza.dk](mailto:service@wittpizza.dk)

Viac na stránket: [www.wittpizza.com](http://www.wittpizza.com)

### **ES vyhlásenie o zhode:**

Spoločnosť Witt Hvidevarer A/S týmto potvrdzuje, že nasledujúce príslušenstvo spĺňa všetky trvalé a základné požiadavky podľa smernice EÚ 2014/53.

1935/2004. Witt Hvidevarer A/S Gødstrup Søvej 9, DK-7400 Dánsko. Witt US, LLC PO BOX: 1044, 800 State Route 11, Champlain, NY 12919, USA, Witt UK & Ireland Ltd. 4 Tannery House, Tannery Lane, Send, Working, Surrey, GU23 7EF. [www.witt.dk](http://www.witt.dk)

## TARTALOMJEGYZÉK

BIZTONSÁGI ÚTMUTATÓ .....	100
<i>Szivárgásvizsgálat</i> .....	101
<i>Gázpalack csatlakoztatása</i> .....	102
<i>A gázpalack leválasztása</i> .....	102
<i>Elemek</i> .....	103
MŰSZAKI INFORMÁCIÓK .....	104
KÜLTÉRI SZERELÉSI ÚTMUTATÓ .....	105
Összeszerelés: .....	106
A PIZZASÜTŐ HASZNÁLATA/ÚTMUTATÓ A BEGYÚJTÁSHOZ .....	110
TISZTÍTÁS ÉS KARBANTARTÁS.....	111
HIBAELHÁRÍTÁS .....	112
GARANCIA ÉS SZERVIZ .....	113

## BIZTONSÁGI ÚTMUTATÓ

**Tűz vagy egyéb károk kockázatának csökkentéséhez a készülék használata előtt figyelmesen és teljes egészében olvassa el a biztonsági útmutatót.**



- **NE HASZNÁLJA A KÉSZÜLÉKET A HASZNÁLATI UTASÍTÁS ELOLVASÁSA NÉLKÜL**
- **NE TEGYEN SEMMILYEN TÁRGYAT A KÉSZÜLÉKRE VAGY KÖZVETLENÜL A KÉSZÜLÉK KÖZELÉBE**
- **NE TARTSON A KÉSZÜLÉK KÖZELÉBEN VEGYSZEREKET, GYÚLÉKONY ANYAGOKAT VAGY SZÓRÓFEJES FLAKONOKAT.**
- **NE HASZNÁLJA A KÉSZÜLÉKET ZÁRT TÉRBE**
- **NE HAGYJA, HOGY A KÉSZÜLÉKBEN ZSÍR/OLAJ, HAMU VAGY EL NEM ÉGETT TÜZELŐANYAG HALMOZÓDJON FEL A HASZNÁLAT IDŐSZAKAI KÖZÖTT.**

- **FIGYELEM!** A pizzasütő részei erősen felforrósodhatnak!
- Kizárólag kültéri használatra. Soha ne használja a pizzasütőt zárt, fedett helyiségben.
- A gyermekeket és a háziállatokat mindig tartsa távol a készüléktől.
- Használat közben ne mozgassa a készüléket.
- A készülék használata után zárja el a gázt a gázpalacknál.
- Ne végezzen semmilyen átalakítást a készüléken.
- A gyártó által zárt csomagolású eredeti alkatrészeket a felhasználó nem módosíthatja.
- Mindig viseljen grillkesztyűt, ha forró alkatrészeket kezel.
- Ne tárolja a készüléket zárt térben, kivéve, ha a gázpalack le van választva. Ha a készüléket hosszabb ideig nem használják, tárolja az eredeti csomagolásában, száraz helyen.

Megjegyzés: a gázpalackot mindig a szabadban, jó szellőzésű helyen kell tárolni. A leválasztott gázpalackot nem szabad épületben, garázsban vagy más zárt térben tárolni! A gázpalackokat a szabadban, gyermekek számára hozzáférhetetlen helyen, álló helyzetben kell tárolni.

- **FIGYELEM:** A tisztítást és karbantartást csak akkor szabad elvégezni, ha a sütő teljesen kihűlt, és ha a gázpalack le van választva.

- Soha ne hagyja, hogy ruházat vagy más gyúlékony anyag érintkezzen az égőfejjel vagy bármilyen forró felülettel, vagy túl közel kerüljön ahhoz, amíg a készülék le nem hűlt. Az anyag meggyulladhat és súlyos sérüléseket okozhat.
- Bizonyos szintetikus anyagok nagyon gyúlékonyak, és nem szabad viselni őket a sütő használata közben. A sütő használatakor ne viseljen bő ruhadarabot vagy bő ujjú felsőt.
- A sütő alja szintén nagyon felmelegszik. Ne helyezze a pizzasütőt műanyag asztalra vagy más éghető felületre, terítőre vagy hasonlóra.
- A pizzasütő nem használható hajón, lakóautóban vagy lakókocsiban.
- Ne végezzen módosításokat a pizzasütőn, mert az személyi sérülést vagy a termék károsodását okozhatja.
- A pizzasütőn végrehajtott, nem engedélyezett módosítások miatt szintén megszűnik a garancia.
- A pizzasütő fölé nem lóghat semmi, például fa vagy tetőszerkezet.

### **SZIVÁRGÁSVIZSGÁLAT:**

- **HASZNÁLAT ELŐTT ELLENŐRIZZE A KÉSZÜLÉK GÁZCSATLAKOZÁSÁT, CSATLAKOZÓKAT ÉS AZ ILLESZTÉSEKET:** Bár a készülék gázcsatlakozásait a csomagolás és a szállítás előtt szivárgásvizsgálatnak vetették alá, egy teljes vizsgálatot a telepítés helyszínén is el kell végezni. Ha bármikor gázzagot érez, azonnal hagyja abba a pizzasütő használatát, és ellenőrizze a teljes rendszert szivárgás szempontjából. Készítsen egy adag folyékony mosogatószerből és egy kevés vízből oldatot. Szüksége lesz egy szórófejes flakonra, ecsetre vagy ruhára, hogy az oldatot felvigye a szerelvényre. Vigye fel a szappanoldatot az összes gázszerelvényre. Azokon a helyeken, ahol szivárgás van, szappanbuborékok keletkeznek. Szivárgás esetén azonnal zárja el a gázt, és szorítsa meg a szivárgó elemeket. Minden alkalommal végezzen szivárgásvizsgálatot, amikor kicseréli a gáztartályt, vagy amikor a sütő hosszabb ideig nem volt használatban.
- Győződjön meg arról, hogy a szelep megfelelő irányba áll. Győződjön meg arról, hogy a tömlő nem sérült.

**FONTOS:** ha a gázszivárgás nem szüntethető meg, zárja el a gázt, és forduljon az ügyfélszolgálatához.

**FIGYELMEZTETÉS:** SOHA ne kapcsolja be az égőfejeket a gázszivárgás ellenőrzése közben.

**MEGJEGYZÉS:** mivel néhány próbaoldat, beleértve a szappanos vizet is, rozsdásodást okozhat, a szivárgásvizsgálat befejezése után minden csatlakozást vízzel át kell öblíteni.

## Gázpalack csatlakoztatása:

- A gázvezetékeknek vagy -tömlőnek meg kell felelnie a vonatkozó követelményeknek, és rendszeresen ellenőrizni, valamint szükség esetén cserélni kell. A tömlő feleljen meg az EN16436 szabványnak. A szabályozó feleljen meg az EN16129 szabványnak.

**VIGYÁZAT!** Ne használjon állítható nyomásszabályozót (például a gyomégetőkhöz használt típust). Robbanás- vagy égésveszélyt jelent.

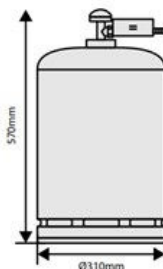
- A névleges kimeneti nyomás (gáznyomás) 28–37 mbar között van, illetve Németországban, Ausztriában és Svájcban 50 mbar.
- Az elhasználódott vagy sérült tömlőket ki kell cserélni. Ellenőrizze, hogy a tömlő nincs összenyomódva, meghasadva vagy nem érintkezik-e a pizzasütővel, kivéve azon a helyen, ahol csatlakozik.
- Egyes régiókban előfordulhat, hogy a tömlő és a szabályozó nem tartozéka a készüléknek.
- A készülékhez tartozó tömlő nem haladhatja meg a 1,5 m-t.
- Csatlakoztassa a gázpalackot a sütőhöz a tömlő és a szabályozó segítségével. Óvatosan húzza meg az anyákat, ne húzza túl vagy tekerje rosszul. Vigyázzon, nehogy megsérüljenek a szabályozó szerelvények. A gázpalack kinyitása előtt győződjön meg arról, hogy a sütő MINDEN szelepe/gombja kikapcsolt (OFF) állásban van.
- A szabályozótöltőt éles tárgytól és meleg felületektől távol kell tartani.
- A gázpalack cseréje előtt: győződjön meg róla, hogy a gáz el van zárva, mielőtt a tömlőt és a szabályozót leválasztja a palackról (nem magáról a sütőről).
- Cserélje ki a flexibilis tömlőt a vonatkozó nemzeti irányelveknek megfelelően.
- Ne használjon olyan PB-gázpalackot, amelynek maximális szélessége meghaladja a 310 mm-t és magassága az 570 mm-t.

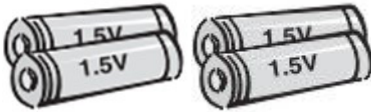
*Szivárgásvizsgálatok: Miután a tömlőt és a szabályozót az utasításoknak megfelelően felszerelte és rögzítette, a gáz bekapcsolható. Ezután fújja az illesztésekre a víz és a szappan keverékét, hogy ellenőrizze, nincs-e szivárgás.*

**MEGJEGYZÉS:** Győződjön meg róla, hogy a gázpalack teljesen védve van a sütőtől.

## A gázpalack leválasztása:

- A gázpalack leválasztásakor: Győződjön meg róla, hogy a sütő főkapcsoló gombja kikapcsolt (OFF) állapotban van. Győződjön meg róla, hogy a gázpalack szelepe zárt állásban van. Húzza ki a szabályozóegységet a gázpalackból, és vegye ki. A gyulladás veszélyének elkerüléséhez ügyeljen arra, hogy a gázpalack legalább egy méterre legyen a sütőtől.
- A szabályozóra és a tömlőre vonatkozó követelmények/szabályok: A gázéghős sütőjéhez használt szabályozó rendelkezik CE-jelöléssel, és feleljen meg a vonatkozó követelményeknek és előírásoknak.





### Elemek:

- Az elemeket felelősségteljesen ártalmatlanítsa, és tartsa távol a gyermekektől, nehogy lenyeljék. **Ha egy gyermek lenyel egy elemet, azonnal forduljon orvoshoz!**
- Ne keverje össze a régi elemeket az újakkal. Ez az elemek túlmelegedését és szivárgását okozhatja.
- A nem újratölthető elemeket nem szabad a töltőbe tenni.
- Ne szedje szét, ne nyomja össze, ne lyukassza ki és ne sértse meg az elemeket semmilyen módon. Ez törésekhez vagy szivárgáshoz vezethet.
- Az elemek tartósságának megőrzéséhez kapcsolja ki a készüléket, és húzza ki az elemeket, amikor a készüléket hosszabb ideig nem használja, vagy várhatóan nem fogja használni.
- Használjon a készülékhez tartozó elemtípust (5 × AA elem).
- Az elemeket megfelelően helyezze be. Ügyeljen arra, hogy az elemek pólusai (- és +) a megfelelő irányba legyenek.
- A lemerült elemeket azonnal vegye ki a készülékből, és az előírásoknak megfelelően, biztonságosan és szakszerűen ártalmatlanítsa. Ne dobja az elemeket a szemétkosárba, azokat a legközelebbi újrahasznosító helyen kell megsemmisíteni.

## Műszaki információk

Modellszám	A felhasználó országa	Teljes hőellátottság	Égőfejek	Injektor / méretjelölés	Kategóriák	Gáztípusok
<b>Witt PICCOLO Rotante</b>	BE, CH, CY,CZ, ES,FR, GB,GR,IE,IT,LT,LU,LV,PT, SI,SK,TR, IL	5,2 kW	1	Φ1,12 mm	I 3+(28-30/37)	G30 Bután 28-30 mbar G31 Propán 37 mbar
	BE, BG, CY, CZ, DK, EE, FI, GB, HR, HU, IT, LT, LU, SI, MT, NL, NO, RO, SE, KE,IS	5,2 kW	1	Φ1,12 mm	I 3B/P(30)	G30 Bután vagy G31 Propán 30 mbar
	AT, CH, DE, SK	5,2 kW	1	Φ1,06 mm	I 3P(50)	G31 Propán 50 mbar
	PL	5,2 kW	1	Φ1,12 mm	I 3P(37)	G30 Bután vagy G31 Propán 37 mbar

Termékinformációk	Witt PICCOLO Rotante
Méretek	650 × 535 × 440
Súly NW/GW	19 / 26

PIN KÓD: 1336DO050



## Kültéri szerelési útmutató

A pizzasütő kizárólag kültéri használatra készült, és csak jól szellőző helyen, éghető anyagoktól távol használható.

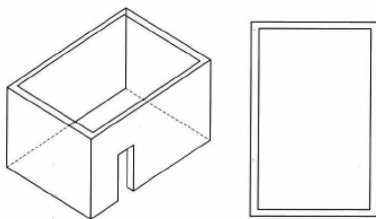
SOHA ne használja a pizzasütőt beltérben, garázsban, verandán, fészerben vagy más zárt helyen. A pizzasütő nem használható hajón, lakóautóban vagy lakókocsiban, és nem helyezhető olyan felület közelébe vagy alá, amely éghet vagy hőre érzékeny. Használat közben ne akadályozza a levegőellátást és az éghetőséget a pizzasütő körül. A pizzasütő biztonságos és megfelelő működéséhez és hatékonyságához megfelelő szellőzésre van szükség.

Ez biztonságosabb a felhasználó és mások számára is, akik a pizzasütő használatának területén tartózkodnak. A pizzasütőt SOHA nem szabad zárt, fedett helyiségben használni.

A pizzasütőt az alábbi ábrán látható módon a szabadban kell elhelyezni, olyan helyen, mely legalább két oldalról vagy felülről nyitott. Fontos, hogy egy esetleges gázszivárgás esetén van lehetőség arra, hogy a gáz kijusson és távozzon, így nem következik be robbanás.

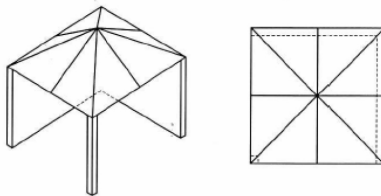
### 1. példa:

**Szellőzés nyitott tetőn és nyitott ajtón keresztül**



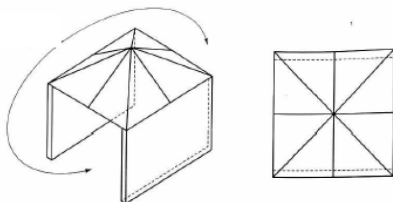
### 2. példa:

**Mindkét oldalon nyitott: Elöl és jobb oldalon**



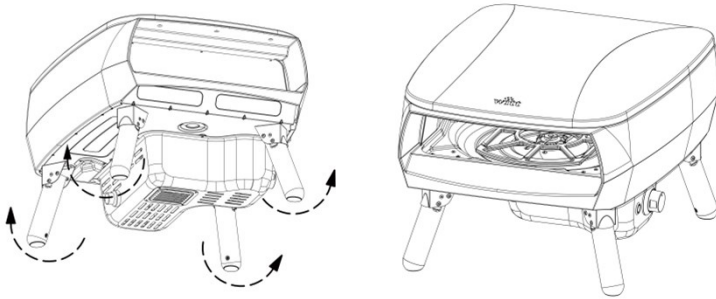
### 3. példa:

**Mindkét oldalon nyitott: Elöl és hátul**



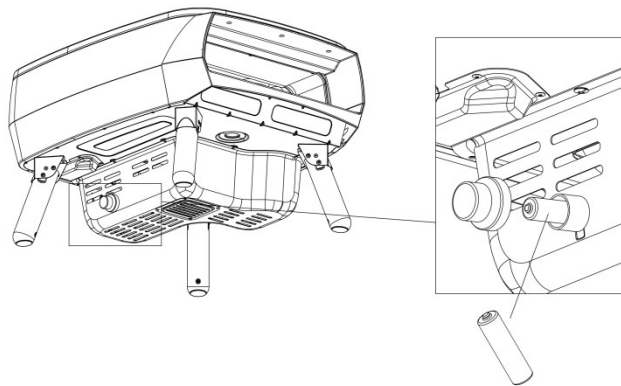
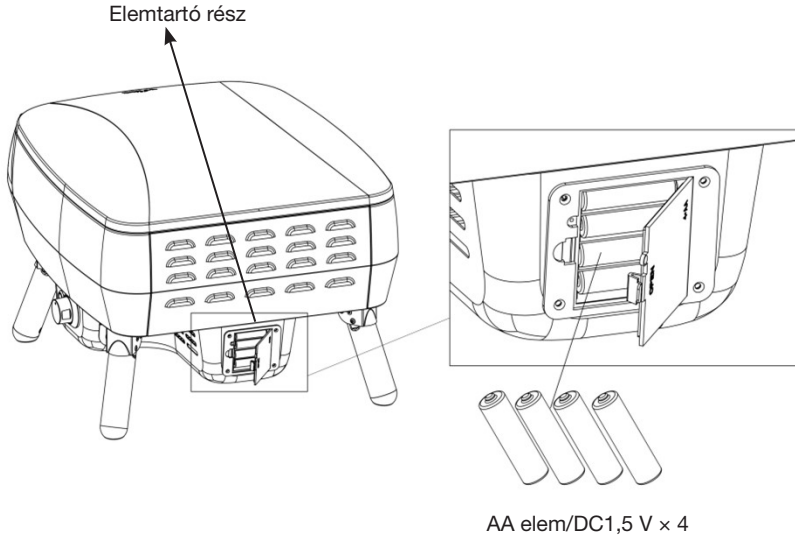
## Összeszerelés:

1. Hajtsa ki teljesen a sütő lábait, majd állítsa fel a pizzasütőt.  
(a tömege akár 19 kg is lehet).

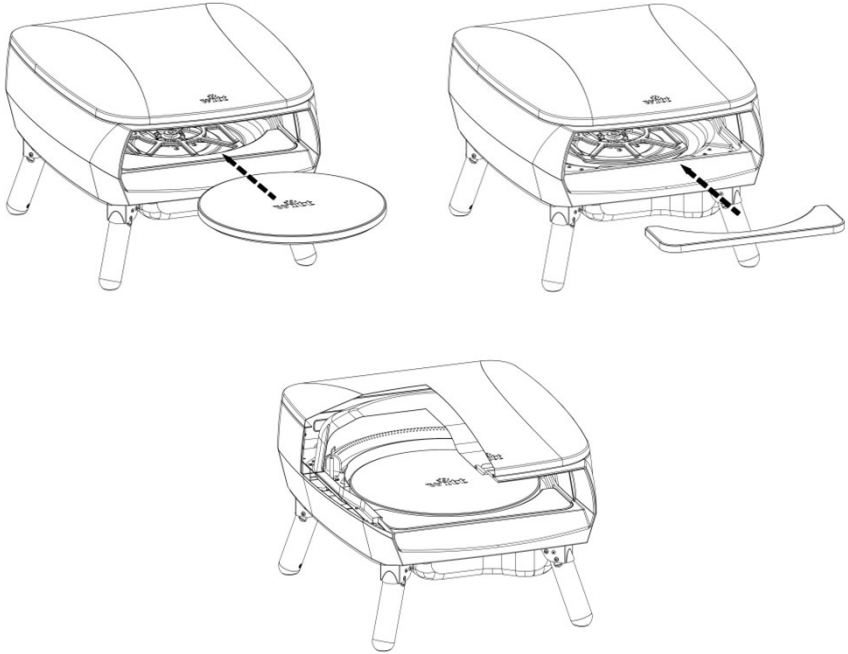


2. Csavarja le az elektronikus gyűjtő fedelét, és helyezzen be egy AA elemet. Ügyeljen az elemtartóban lévő (+) és (-) jelzésekre. Csavarja vissza a fedelet a helyére. Nyissa ki az elemtartó részt. Helyezzen be négy új AA elemet úgy, hogy a (+) és (-) jelzéseknek megfelelően a megfelelő irányban legyenek.

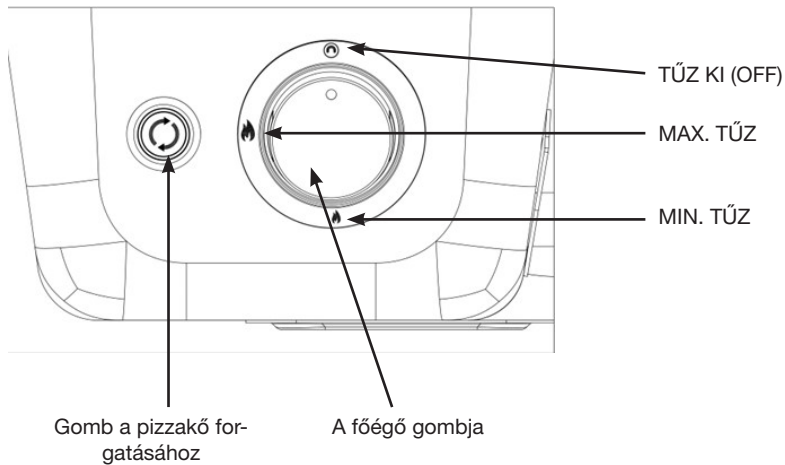
Zárja be az elemtartót.



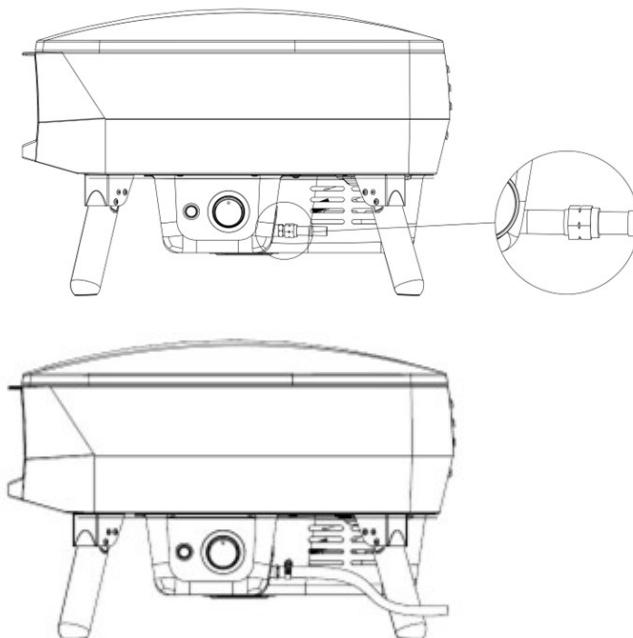
3. Vegye le a pizzakőről a csomagolást, és illessze a pizzakő tálcájára.



4. A gázcső csatlakoztatása előtt győződjön meg arról, hogy az égőgombok kikapcsolt (OFF) állásban vannak.



5. Csatlakoztassa a gáztömlőt a pizzasütőhöz.

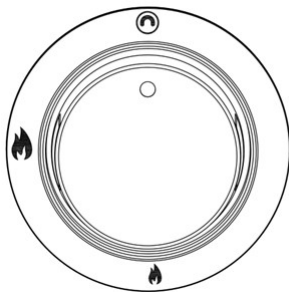


## A PIZZASÜTŐ HASZNÁLATA/ÚTMUTATÓ A BEGYÚJTÁSHOZ

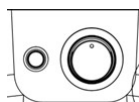
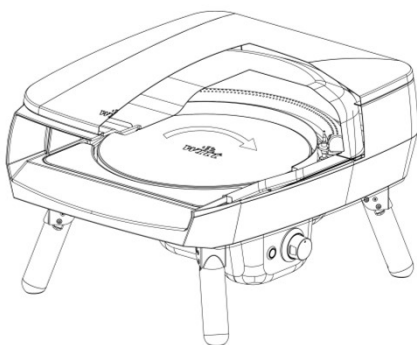
Ha a szabályozó megfelelően csatlakozik, a gáz bekapcsolható.

### Witt PICCOLO Rotante

Az égő begyújtásához: nyomja le és lassan fordítsa el balra a főkapcsoló gombot, amíg kattanást nem hall, és az égő be nem gyullad. Ez körülbelül 8–10 másodpercig tart, mivel a gáznak az égőcsövön keresztül el kell jutnia a sütőhöz. A begyújtást követően tartsa lenyomva a főkapcsoló gombot további 10 másodpercig, majd engedje fel. Állítsa be az égőt a kívánt módon. Ha az égő nem kapcsol be, hagyja a gombot kikapcsolt (OFF) állásban, és várjon öt perccel, mielőtt újra megpróbálná.



Nyomja meg a gombot a pizzakő forgatásának beállításához.



Szimbólum	Leírás
	Főégő
	Állítható forgás

## TISZTÍTÁS ÉS KARBANTARTÁS

### Kívül:

- A külső tisztítás előtt győződjön meg róla, hogy a pizzasütő kihűlt és biztonságosan megérinthető.
- A festett részek, valamint a műanyag felületek enyhe szappanos vízzel és tiszta ruhával tisztíthatók (ne használjon súroló- vagy zsíroló szereket vagy súrolóbetétet).
- Javasoljuk, hogy a tisztítószert először a készülék egy kisebb felületén próbálja ki. SOHA ne használjon festékhígítót vagy hasonló oldószereket, és SOHA ne öntsön hideg vizet meleg felületekre.
- Törölje át egy ronggyal.

### Belül:

- Győződjön meg róla, hogy a pizzasütő kihűlt és biztonságosan megérinthető, mielőtt kitisztítaná a belsejét.
- Tisztítás előtt vegye ki a kerek és az első pizzakövet.
- A makacs szennyeződések és zsírok eltávolításához tegyen egy kis szódabikarbónát nedves szivacsra, és azzal törölje át. Ne használjon súrolószert.

### Pizzakő:

- A pizzakövet kizárólag a Witt pizzasütőjében való használatra szánják, nem szabad nyílt tűzön használni.
- A pizzakő törékeny és eltörhet, ha erősebb ütés éri vagy leejtik.
- A pizzakő használat közben nagyon felforrósodik, és használat után még sokáig meleg marad.
- A pizzakő tisztításához melegítse fel a sütőt kb. 30 percig, és a lehűlés után a maradványokat eltávolíthatja a pizzakőről például Witt pizzasütő kefével.
- A pizzakövet és az előlapot két használat között szárazon kell tárolni, mivel nem tűri a nedvességet.

## HIBAELHÁRÍTÁS

### Az égő nem gyullad be:

A gázszelep nincs bekapcsolva.	Fordítsa bekapcsolt helyzetbe a szelepet.
A gázpalack üres.	Cserélje ki a gázpalackot egy újjal.
A gyújtógomb nem működik.	Ellenőrizze az elemeket.
Nincs szikra a gyújtásnál.	Forduljon a szervizközponthoz.

### Az égő lángja nem egyenletes:

A láng az égő belsejében ég (suttogó hang).	Kapcsolja ki az égőt, és hagyja kihűlni. Ezután próbálja meg újra begyújtani.
A szabályozó meghibásodott.	Forduljon a szervizközponthoz.
Az injektor részben eltömődött.	Tisztítsa meg az injektort fogkefével. Ne fúrja ki és ne használjon drótot/acélhuzalt a dugulások eltávolításához. Forduljon a szervizközponthoz.

### Gázzívárgás az illesztések között:

A csatlakozások meglazultak.	Húzza meg a meglazult csatlakozásokat (ne húzza túl), és végezzen nyomáspróbát szappanos vízzel. (lásd a „Szivárgásvizsgálat” című útmutatót a 4. oldalon.
A tömlő sérült.	Cserélje ki a szelepet. (Forduljon a szervizközponthoz)
A gázszelep hibás.	Forduljon a szervizközponthoz.
A csatlakozások/illesztések sérültek.	Forduljon a szervizközponthoz.

### A pizzakő nem forog:

A pizzakő nem forog.	Győződjön meg róla, hogy a hálózati tápegység kábele megfelelően csatlakozik, és hogy a készülék be van kapcsolva. Győződjön meg róla, hogy az elemek megfelelően vannak behelyezve az elemtartóba. Ellenőrizze, hogy az elemek teljesen fel vannak-e töltve, és szükség esetén cserélje ki őket. Az első követ tolja előre a sütő nyílásáig, hogy ne akadályozza a forgást.
A pizzakő sérült.	Forduljon a szervizközponthoz.
A gomb/érintkező vagy a kábelek sérültek.	Forduljon a szervizközponthoz.



## GARANCIA ÉS SZERVIZ

### FONTOS

A garancia kiterjed az anyagokra és a bérekre. Amikor felveszi a kapcsolatot a szervizzel, adja meg a termék nevét, sorozatszámát, és töltsse ki az alábbi címen elérhető szervizűrlapot:

<https://service.witt.dk/service/da/witt/pizzaservice.aspx>.

Ezeket az információkat a típusjelzésen találja. A jelen utasításban szereplő információkat jegyezze fel úgy, hogy kéznél legyenek. Ez megkönnyíti a szerviztechnikus számára a megfelelő pótalkatrészek beszerzését.

A garanciaidő alatt az Ön pizzasütőjét a Witt hivatalos szervizközpontja javítja meg, feltéve, hogy a pizzasütőt a szervizközpontba szállítják és ott veszik át, a feltételeket lásd alább.

### GARANCIA

Két év

#### A GARANCIA NEM TERJED KI:

1. Olyan hibákra és károokra, amelyek nem gyártási vagy anyaghibákból erednek.
2. Normális, észszerű felhasználásra (pl. a rács/lemezek hő okozta elszíneződése).
3. Kártevők által okozott termékkárookra.
4. Nem eredeti pótalkatrészek használata esetén.
5. Ha nem tartották be a használati útmutatóban szereplő utasításokat.
6. Ha a készüléket nem a használati utasításban meghatározottak szerint állították be/szerelték össze.
7. Ha nem szakemberek telepítették vagy javították a terméket.
8. Rozsdásodás és mattulás.

#### SZÁLLÍTÁS MIATTI SÉRÜLÉSEK

Ha a termék a szállítás során megsérül, és ez csak akkor derül ki, amikor a kiskereskedő átadja a terméket a vásárlónak, ez kizárólag a vásárló és a kiskereskedő közötti ügy lesz. Abban az esetben, ha a terméket az ügyfél maga szállította, a szállító nem vállal felelősséget a szállítás során esetlegesen bekövetkező károkért. A szállítás során keletkezett károkat haladéktalanul, de legkésőbb a termék átadását követő 24 órán belül be kell jelenteni. Ellenkező esetben az ügyfél igényét elutasítják.

## KERESKEDELMI CÉLÚ VÁSÁRLÁSOK

A kereskedelmi célú vásárlások olyan eszközök vásárlása, amelyeket nem magánháztartásokban történő használatra, hanem kereskedelmi célokra (éttermekben, kávézókban, étkezdékben stb.), vagy bérbeadásra, illetve más módon több felhasználó általi használatra szánunk.

A kereskedelmi célú vásárlásokra nem vállalunk garanciát, mivel ezt a terméket kizárólag szokványos háztartási használatra szánjuk.

### **Minden szervizre vonatkozó kérés:**

EMAIL: [service@wittpizza.dk](mailto:service@wittpizza.dk)

További információ: [www.wittpizza.com](http://www.wittpizza.com)

### EK-megfelelőségi nyilatkozat:

A Witt Hvidevarer A/S ezúton megerősíti, hogy az alábbi tartozék megfelel a 2014/53/EU irányelv szerinti valamennyi alapvető és állandó követelménynek. 1935/2004. Witt Hvidevarer A/S Gødstrup Søvej 9, DK-7400 Denmark. Witt US, LLC PO BOX: 1044, 800 State Route 11, Champlain, NY 12919, USA, Witt UK & Ireland Ltd. 4 Tannery House, Tannery Lane, Send, Working, Surrey, GU23 7EF. [www.witt.dk](http://www.witt.dk)